

Warranty Registration Card

To register for your 12 month warranty, complete this warranty card and return it within seven days of purchase to:

CNP Brands
20 Calarco Drive, Derrimut, VIC, 3030

(or)

The Baby Factory (NZ) Ltd
PO Box 58245 Greenmount Auckland
Email: customerservices@babyfactory.co.nz

Name

Address

Phone

Email

Product Name / Model No. Blaze Stroller- 013520-033

Colour

Place of Purchase

Date of Purchase



Warranty

Warranty Terms and Conditions

Subject to the following, C.O. White Pty Ltd ACN 004 169 233 of 20-22 Lindaway Place, Tullamarine, Victoria, 3043, trading as CNP Brands ('CNP Brands') warrants that:

- 1 This product complies with all safety requirements, and where applicable, those specified in the Australian and New Zealand Safety Standards as at the date of purchase; and
- 2 This product is free from defects in workmanship and material under normal use for 12 months from the date of purchase, as recorded on the invoice ('warranty period'). However, where the product has been purchased or is used for commercial purposes, the warranty period is three months from the date of purchase, as recorded on the invoice. In the event of a defect during the warranty period, you are requested to contact your retailer or place of purchase.

Subject to the following, the warranties do not apply in the following circumstances:

1. Where the product is not supplied to CNP Brands or an authorised repair agent with the original sales receipt.
2. The defect is the result of use of the product not in accordance with the instructions given in any manual or instructions supplied with this product (including, but not limited to, where the maximum weight allowance specified for the product has been exceeded), or maintenance that is contrary to the instructions given in any manual or instructions supplied with this product.
3. Damage caused directly or indirectly by repairs that have been carried out by you and any third party (excluding authorised repair agents).
4. Where the defect is discolouration, damage to the fabric or watermarks due to washing that has not been in accordance with the instructions given in any manual or instructions supplied with this product, exposure to rainwater, or exposure to sunlight.
5. The defect is as a result of accidental damage.
6. The defect is as a result of damage caused to the product by negligent transportation of the product other than by CNP Brands.
7. Where the product has been damaged through the use of accessories that have not been approved for use by CNP Brands in relation to the product.

The warranties are non-transferable and may only be invoked by the first owner.

Any undertakings implied by the Goods Act 1958 (Vic) in respect of the product are expressly negated.

None of the above is intended nor should be interpreted as restricting, modifying, excluding, or having the effect of restricting, modifying or excluding the rights of the consumer under the Trade Practices Act 1974 (Cth), in relation to the supply of the product to the consumer, including merchantable quality of the product, fitness for purpose, supply by description and/or supply by sample (subject to the limitations on such rights as set out in that Act).

The above is to be interpreted in accordance with the law of the State of Victoria and the Courts of the State of Victoria have exclusive jurisdiction over any dispute arising out of the effect or interpretation of the above.



Instructions for Use and Warranty

Blaze Stroller

013520-033



Safety Precautions

WARNING

- FOLLOW THE MANUFACTURER'S INSTRUCTIONS.
- PUT ON ALL THE BRAKES WHENEVER YOU PARK THE STROLLER.
- DO NOT LEAVE CHILD UNATTENDED.
- DO NOT CARRY EXTRA CHILDREN OR BAGS ON THIS STROLLER.
- MAKE SURE CHILDREN ARE CLEAR OF ANY MOVING PARTS IF YOU ADJUST THE STROLLER, OTHERWISE THEY MAY BE INJURED.

General Precautions

- Check that all safety locks are engaged before placing a child in the stroller.
- Ensure your child is secured with a correctly adjusted safety harness.
- Do not allow children to stand on the seat.
- Do not hang bags or goods from the handle as this could cause the stroller to tip over.
- Do not place more than 3kg in the basket or 1kg in the hood pocket (if supplied).
- The weight of the child using the product should not exceed 17kg.
- When used with the toddler seat, the weight on each seat should not exceed 15kg, the combined weight should not exceed 30 kg.
- The height of the child using the product should not exceed 96cm.
- This stroller is designed for use with the 'Childcare' Universal Bassinet model #013421, or 'Childcare' Blaze toddler seat model #013522 ONLY.
- Use original accessories and manufacturer approved parts only.
- Never ride with more than one child in the stroller.
- Always use safety locks.
- Promptly replace worn out or broken parts.
- Remove the child from the stroller before going up or down stairs and escalators.
- Do not lift the stroller by the bumper bar or tray (if supplied).
- To prevent the risk of the stroller catching fire, do not park it near an open fire, heater or barbeque.
- Do not make any changes or alterations to this product, unless through an approved service agent.
- To avoid the risk of suffocation, keep all plastic packaging materials out of reach of children.
- For warranty purposes, keep your sales receipt to provide proof of purchase.

Blaze Stroller Features

Product Features

- Compact multi position lie-flat stroller suitable from newborn.
- Lockable front swivel wheel with rear wheel suspension.
- Padded seat fitted with a five point safety harness and seat extension.
- Removable bumper for baby's comfort and convenience.
- One touch rear wheel brakes for secure braking.
- Easy-to-remove seat to accommodate optional newborn universal bassinet model #013421 (sold separately).
- Easy-to-attach optional Blaze Toddler Seat model #013522 (sold separately).
- Designed and manufactured to comply with the Australian Standard AS/NZS 2088:2000.

Additional products and accessories available in leading department stores and speciality shops include:

- Cots
- Portable Cots
- Change Tables
- Highchairs
- Hook on Highchairs
- Strollers
- Safety Gates
- Bed Guards
- Rockers
- Pramettes
- Walkers
- Nappy Bags



Due to our continuing programme of development, CNP Brands reserves the right to alter the specifications, colour or design without further notice.

Due to variations in the style and design of our products the images used in this instruction manual are generic.

Manufactured by:

CNP Brands
20 Calarco Drive, Derrimut, VIC, 3030
Customer Service Telephone No.: 1300 667 137
Email: info@cnppbrands.com.au
www.cnppbrands.com.au



Customer Feedback

Please take a few moments to complete the customer feedback survey so that we can continue to make improvements on our product development.

Was this product a gift? Yes No

How important were the following factors in your purchase?

1 = Very Important 2 = Important 3 = Not Very Important 4 = Not Important

- Easy to use
- Lightweight
- Price
- Product features including accessories
- Appearance of product
- Co-ordinates with other products in the range
- Innovative design
- Reputation of brand/product
- Conforms to safety standards

How did you find out about this product?

Please tick one box

- In-store sales staff product demonstration / recommendation
- In-store display / point of sale
- Recommended by friend / family member
- Advertised in catalogue or magazine. Name of publication _____
- Internet
- Show / event
- Other _____

What features do you think could be improved or added?

Blaze Stroller

Congratulations on your purchase of the Childcare Blaze Stroller. This product has been designed and developed with safety, comfort and functionality in mind.

Please take the time to read this manual carefully before the use of this product and keep it in a safe place for future reference.

To ensure that you receive the best service and warranty from CNP Brands, please remember to complete and return the warranty card as soon as possible.

Contents

- 02 Assembly Contents List
- 03 Instructions
- 08 Care and Maintenance
- 09 Blaze Stroller Features

Instructions

CHECK WHAT YOU HAVE RECEIVED

You have received 1 box. Check the contents of the box against the list below.

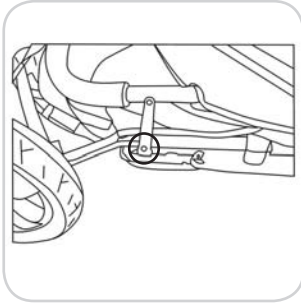
If anything is missing, please contact CNP Brands.

- 1 stroller frame
- 1 front swivel wheel (supplied loose in box)
- 1 rear axle assembly (supplied loose in box)
- 2 rear wheels and attachments (supplied loose in box)
- 1 hood (preassembled on stroller frame)
- 1 bumper bar (supplied loose in box)
- 1 bootcover (supplied loose in box)
- 1 raincover (supplied loose in box)



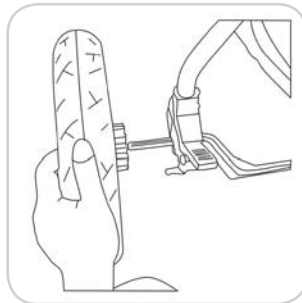
To Open the Stroller

- Release the folding lock as circled.
- Lift handle and seat apart until the frame clicks and locks on both sides.
- Ensure the stroller is locked on both sides before using.



Assemble Rear Wheels

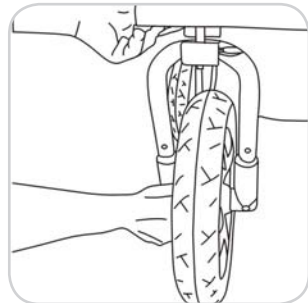
- Ensure pop-up pins on rear legs are in line with locating holes on the rear suspension housing.
- Place rear axle assembly into the holes on the rear of chassis until it clicks into position.
- Slide each rear wheel onto the axle until a clicking sound is heard.
- Pull on wheel to ensure it is securely attached onto the axle.
- To remove, press centre button on wheel and pull off.



Instructions

Assemble Front Wheels

- Ensure pop-up pins are in line with locating holes.
- Insert front wheel assembly onto front wheel fork.
- Make sure wheel is properly attached by pulling firmly on the wheel.



To Use the Bumper Bar

- Fit each side of the bumper onto the frame and close locking clips.
- To remove the bumper bar, open locking clips and remove from frame.

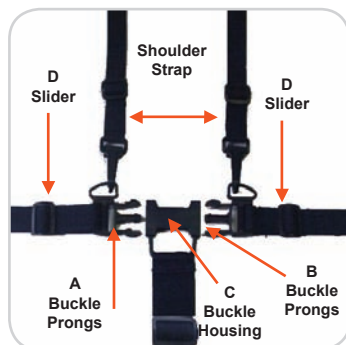


To Secure your child in the Safety Harness

To secure the child in the harness, push buckle (A) and (B) into the buckle housing (C) until the buckle prongs snap into position. Carefully adjust the harness by pulling the slider (D) until the desired fit is achieved in the lap, shoulder and crotch strap.

To release the buckle, squeeze the top and bottom prongs until is disengages.

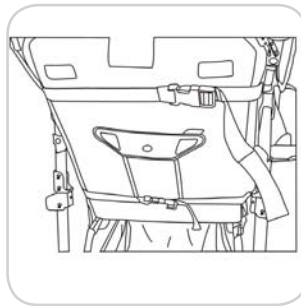
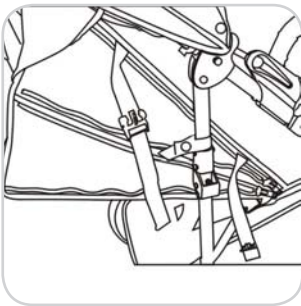
CAUTION: Always adjust the harness when changing the seating position of the child.



Positioning Backrest

Your stroller is fitted with a multiple position lieback seat to enable the stroller to be used from newborn through to the toddler stage.

- Your seat can be adjusted to four recline position lieback positions using the zip system by pulling each zipper seat downward for recline or upward for incline.
- For an additional upright position fasten the two belts at the rear of the seat when the zippers are in the most upright position.



Swivel Locks

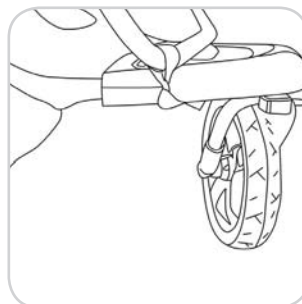
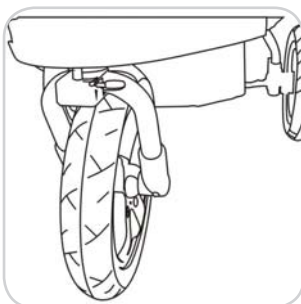
To Lock Swivel Wheel

- Press pin lever down and push back for swivel lock to engage.

To Release Swivel Wheel

- Press pin lever down and pull forward.

WARNING: The swivel must be in the locked position when walking fast.



Instructions

Brakes

- Push down the rear lever to park.
- Check to make sure the brake is on by trying to push the stroller.
- Lift up to release.

WARNING: Always apply brake when parking the stroller.



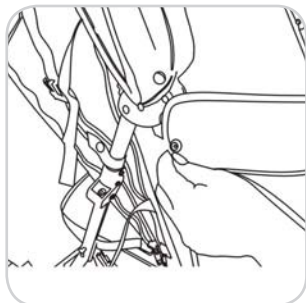
Raincover

- Place rain cover over the front of the hood, position hole in raincover over protruding pin on hood.
- Secure clip to front of footrest.
- Fasten velcro straps under the footrest.



Bootcover

- Place bootcover under legrest and over bumper bar, connect the upper straps around the rear leg tube under the leg handle mould. Attach lower velcro straps around each front leg.

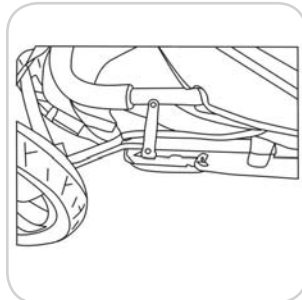


WARNING: Always remove bootcover before folding the stroller.

Folding the Stroller

- Before folding the stroller, remove bootcover and raincover.
- Apply rear brake and disengage swivel lock.
- Return seat to layback position.
- Pull up the two release catches located either side of the handle which will release the elbow joints for smooth folding.
- Push the handle gently downwards towards the floor, folding the handle underneath the back rest.
- Close the folding lock.
- For a more compact fold, ensure the handle bars sits under the backrest. The second position of the upfold lock can then be used.

WARNING: Brake must be engaged when folding the stroller.



How to Care for your Stroller

Cleaning

- To ensure the long-lasting use of your stroller, dry it with a soft absorbent cloth after use in rainy weather.
- Use a damp cloth to clean the frame. Do not use abrasive cleaners.
- After using your stroller on the beach, clean the frame and wheels thoroughly with water to remove the sand and salt. Allow it to dry thoroughly.
- Removable and non removable fabric covers and trims may be cleaned using a damp cloth with soap or mild detergent. Allow it dry completely before folding or storing it away.
- **DO NOT DRY CLEAN, OR USE BLEACH ON FABRICS OR TRIMS.**
- Do not machine wash, tumble or spin dry, unless the care labelling on the product permits these methods.

Maintenance

- Check stroller regularly to ensure that locking devices & components are secure and working properly.
- Always check parts regularly for tightness of screws, nuts and other fasteners – tighten or replace if required. To maintain the safety of your stroller, seek prompt repairs for bent, torn, worn or broken parts. Use only those parts and accessories approved by CNP Brands.
- If the wheels squeak, use silicone based lubricant oil ensuring it penetrates the wheel and axle assembly.
- To prevent mould or mildew, do not fold or store the product if it is damp or wet. Allow it to dry thoroughly.
- Always store the product in a well ventilated area and away from direct sunlight.