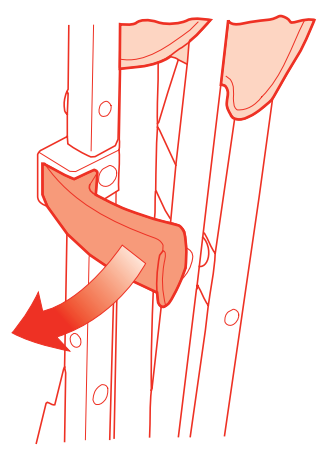
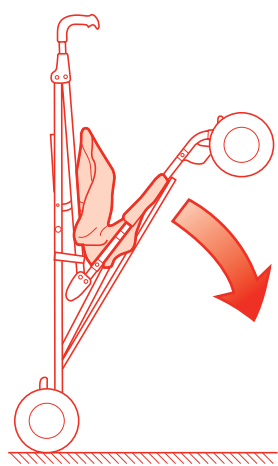


MACLAREN
techno xt

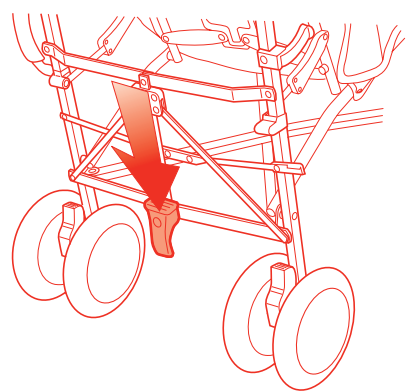
1



A

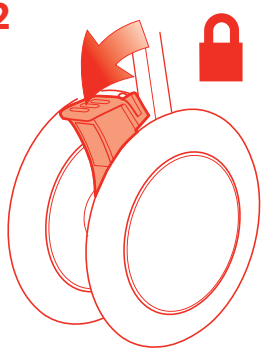


B

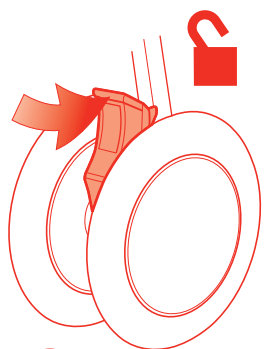


C

2

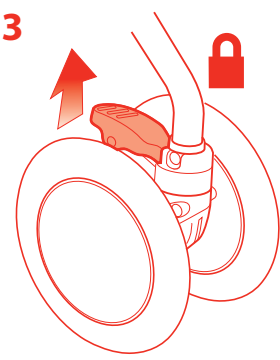


A

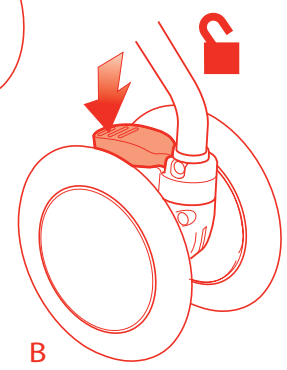


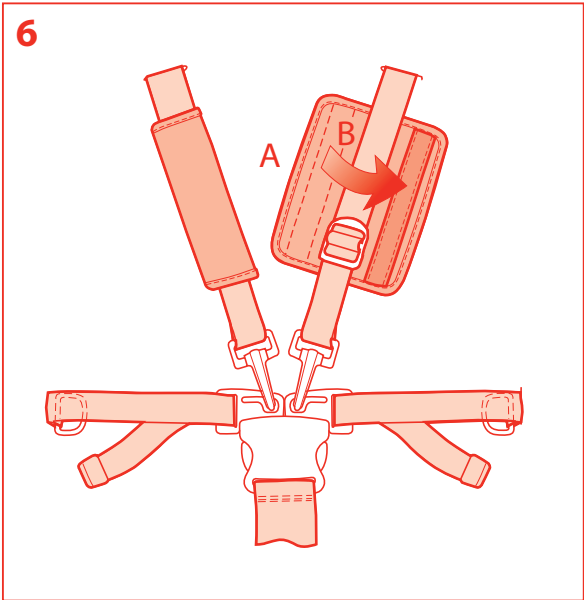
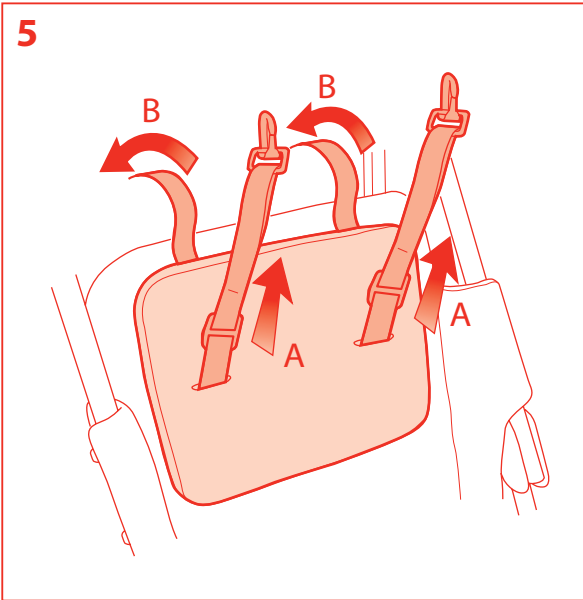
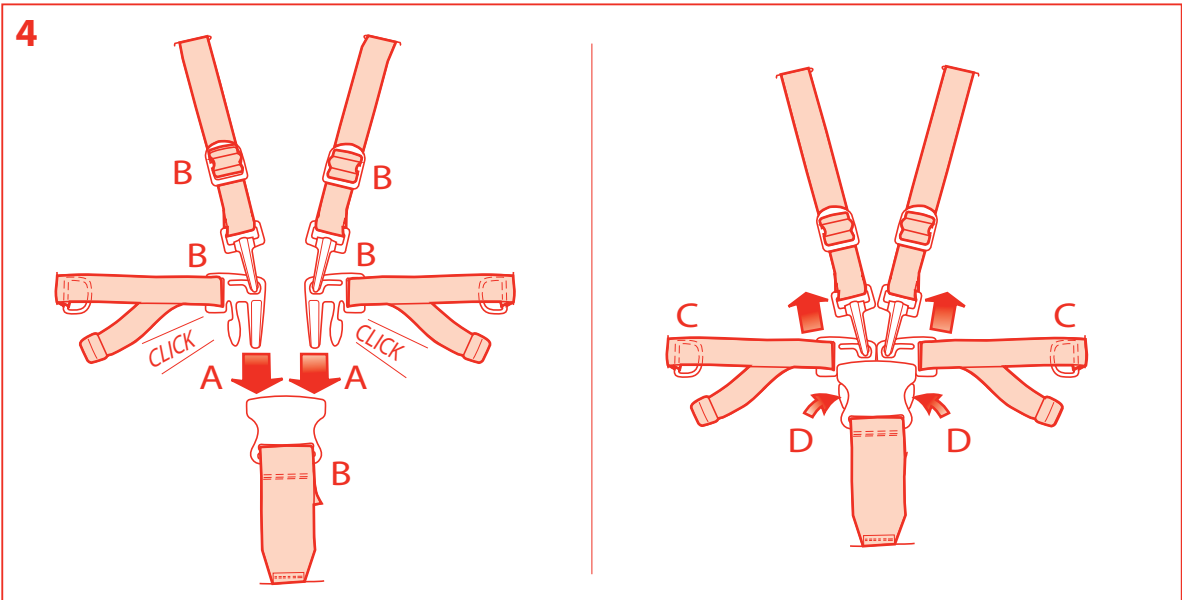
B

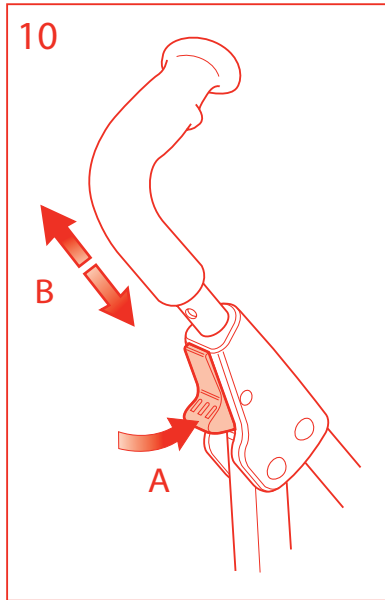
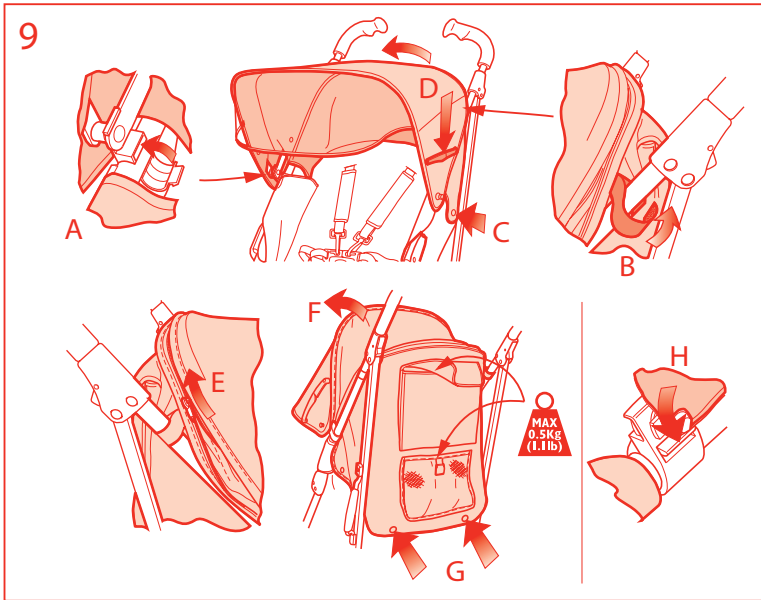
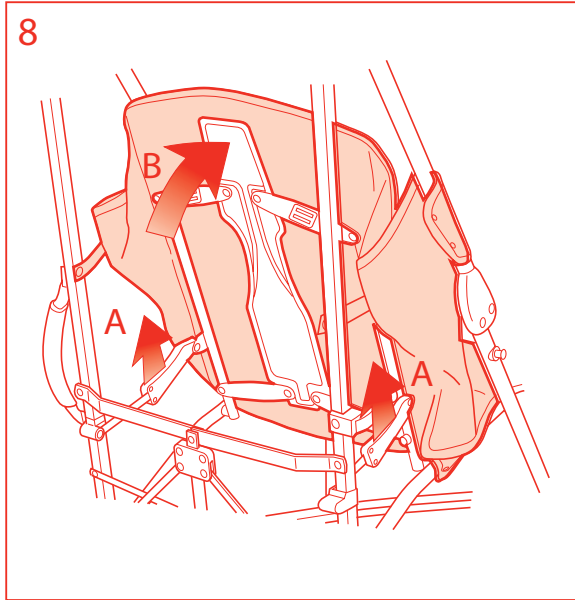
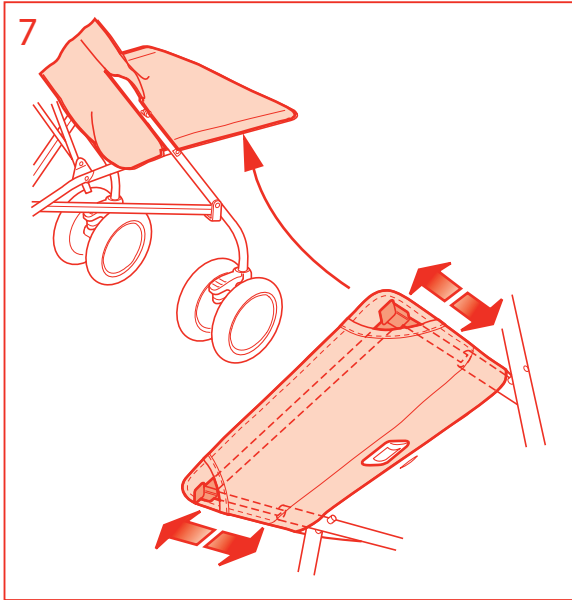
3



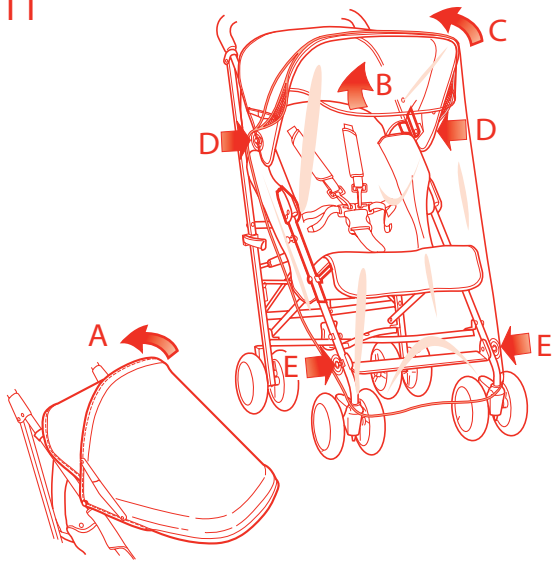
B



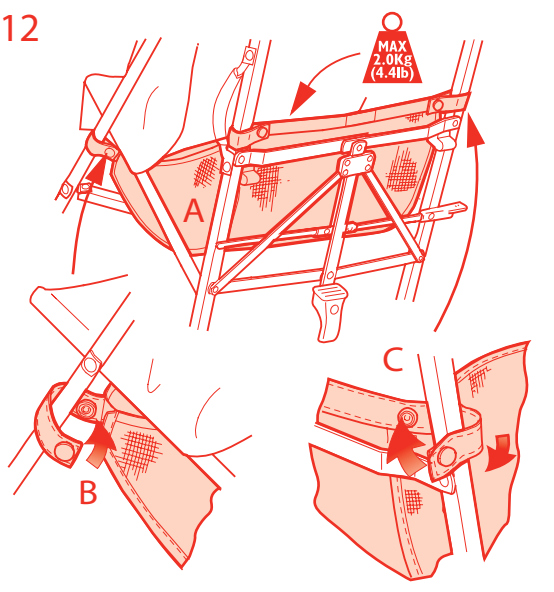




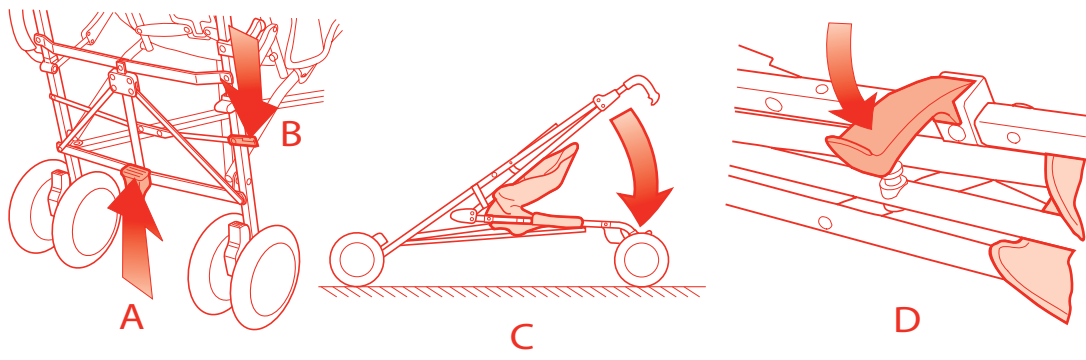
11



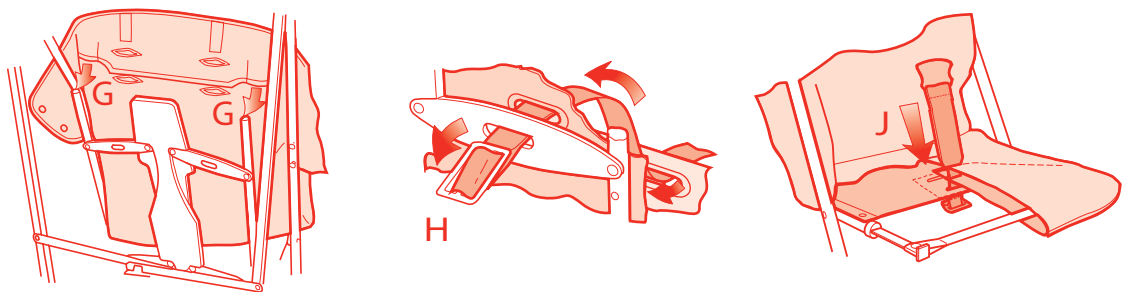
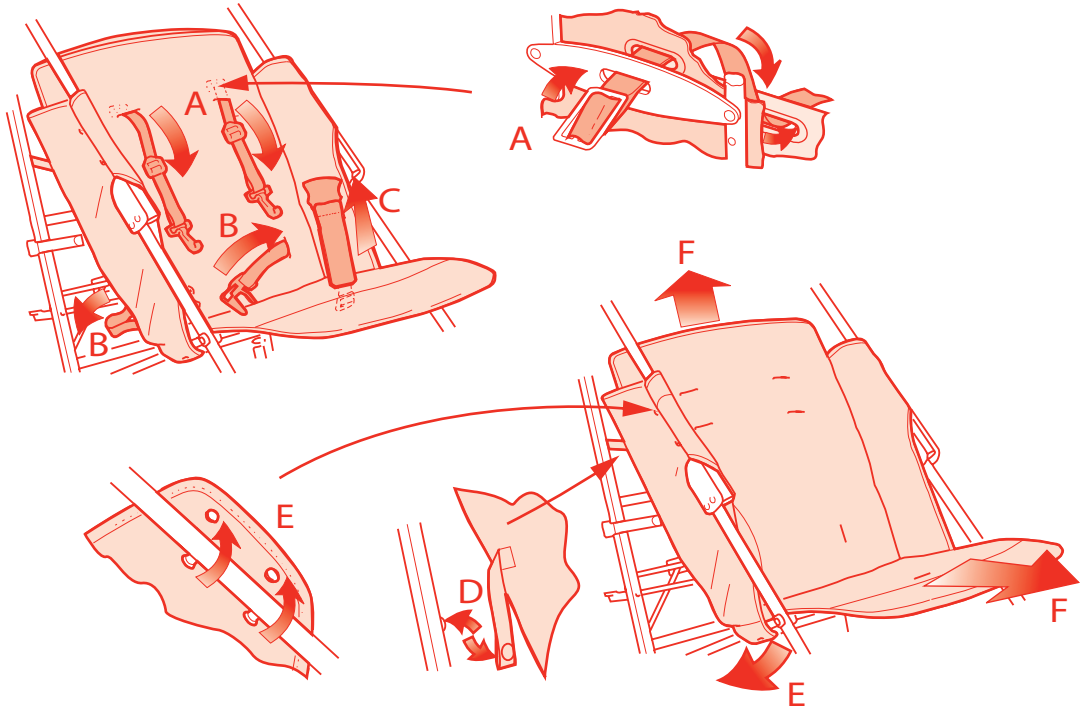
12



13



14



Limited Warranty

Why you've chosen a Maclaren stroller

In 1965, Owen Maclaren, a former test pilot and aeronautical engineer, invented the first ever baby buggy (also known as stroller). Since having invented the revolutionary umbrella fold buggy, Maclaren have evolved into a company that values its heritage, leads in innovation and strives to produce the highest quality.

All Maclaren strollers have the following features: lightweight aluminium chassis, compact umbrella fold, lockable swivel wheels, removable seats for easy cleaning and removable shopping basket.

Warranty

Your Maclaren carriage, stroller, or buggy is warranted to be free from manufacturing defects for a period of one year from the date of purchase under normal use and in compliance with the operating instructions. This warranty extends only to the original retail purchaser and is only valid when supplied with proof of purchase, or if received as a gift, when the registration card is on file with Maclaren USA Inc.

Maclaren will either repair, or at our option replace, free of charge, any parts necessary to correct defects in material or workmanship during the warranty period. The above warranty is complete and exclusive. The warranty expressly disclaims liability for incidental, special and consequential damages of any nature. (Some states do not allow the exclusion or limitation of incidental or consequential damages, so the above may not apply to you.)

Any implied warranty arising by operation of law shall be limited in operation to the term of this warranty. (Some states do not allow limitations on how long an implied warranty lasts, so the above limitations may not apply to you.)

This warranty gives you specific legal rights, and you may have other rights which vary from state to state.

For warranty service

Should repair be needed during the warranty period and under the conditions of the limited warranty, contact the retailer you purchased the product from. If your retailer cannot perform the warranty repair, please contact Maclaren direct at 1-877-442-4622.

If you need to return your stroller for service or repair, return the unit freight prepaid in the original or other similar protective packaging. If you do not have the original box one can be secured from a local baby specialty store, mass merchant, sporting goods store, moving company or UPS. For the fastest and most economical shipping we suggest shipping UPS.

When sending in the stroller for repair, include a note with a daytime telephone number, receipt for proof of purchase, return address, and specifically describe what is wrong with the product. Please describe the problem as you are standing behind the stroller.

Contents

- 2 US Attendant user guide**
Please read this User Guide fully prior to use ensuring reference is made to the numbered diagrams on the final pages.
Retain this User Guide for future reference
- 4 SP Guía del Usuario**
Por favor lea detenidamente esta Guía del Usuario antes de usar el producto, refiriéndose a los dibujos con números en las p-ginas finales.
Por favor, retenga esta Guía del Usuario para consultaria en el futuro.
- 6 FR Notice du fabricant**
Avant l'utilisation, lire attentivement cette notice en ayant soin d'examiner les schemas numerates des dernières pages.
Conserver cette notice pour consultation future.
- 10 Operation Illustrations**
- 15 Warranty Information**

US

General Information & Safety

⚠️ WARNING: AVOID SERIOUS INJURY FROM FALLING OR SLIDING OUT. ALWAYS USE THE SEAT HARNESS. NEVER LEAVE CHILD UNATTENDED. IMPORTANT: KEEP THESE INSTRUCTIONS FOR FUTURE REFERENCE. A CHILD'S SAFETY IS YOUR RESPONSIBILITY. THIS VEHICLE IS SUITABLE FOR ONE CHILD.

- Follow all instructions carefully. Incorrect use will cause damage to stroller.
- This product has been designed to take the weight of a child of 25kg (55lbs) maximum and a maximum height of 110 cm (44").
- Children should be harnessed in at all times and should never be left unattended.
- **IMPORTANT - It is important for your child's safety that the harness be correctly fitted and adjusted. If not adjusted correctly in accordance with the instructions the stability of the stroller will be impaired.**
- The harness and seat belt are not a substitute for proper adult supervision.
- The child should be clear of moving parts while making adjustments.
IMPORTANT - DANGER: It is important that great care is taken to ensure that children are kept well clear of the stroller when folding or unfolding the product. Finger traps and scissoring actions are unavoidable during these operations.
- Do not carry additional children, goods or accessories in or on this stroller except as permitted in this leaflet. They may cause the stroller to become unstable or place undue stress on the stroller that could lead to breakage.
- Overloading, incorrect folding and the use of accessories, e.g. child seats, bag hooks, rain covers, buggy boards, etc., other than those approved by Maclaren may damage or break this vehicle.
- Any damage caused by the use of accessories not supplied by Maclaren will not be covered by the terms of our warranty.
- Never leave child in the stroller when ascending or descending stairs or escalators or when travelling on other forms of transport.
- The stroller should always open and fold easily. Do not force it. It may be necessary to re-read the instructions.
- Negotiate curbs and rough ground carefully. Repeated impact will cause damage to the stroller.
- Never allow children to stand on the footrest.
- Do not leave the stroller exposed to heat, i.e. by a radiator or in direct sunlight.
- Do not place items on the top of the hood as it may cause damage to the hood.

MAINTENANCE AND REPAIR

- This vehicle requires regular maintenance by the user. Regularly check all rivets and connecting devices for tightness and security. Inspect all brakes, wheels and tires and replace or repair if necessary. Check all safety devices for correct operation, in particular the primary and secondary locks. These should be free to move at all times. Never continue to use a product that is not structurally sound.
- We recommend a service every 12 months.
- If wheels squeak, lubricate sparingly with Teflon or silicone coating. Do NOT use oil or grease based products, as this will attract dirt, which will clog the movement.
- Only Maclaren replacement parts should be used. It may be unsafe to use parts not supplied by Maclaren.

CLEANING

- Clean frame with a damp cloth and a mild detergent and dry thoroughly. Do not use abrasives.
- If the stroller chassis parts have been exposed to salt water we recommend that they be rinsed down with fresh (tap) water as soon as possible afterwards.
- The hood may be sponged lightly using a damp cloth and a mild detergent. The seat cover, head cushion and harness pads may be washed - see care labels for details. Dry thoroughly before reuse.
- Do not fold or store the product while wet and never store in a damp environment as this can cause mildew to form.

Maclaren reserves the right to make design changes to any of their products as part of their continuous improvement programme.

This product is designed and manufactured to comply with ASTM F833 Standard Consumer Safety Performance Specification for Carriages/Strollers and is JPMA certified. This product is designed and manufactured to comply with Canadian standard SOR/91-350, s. 1(F) Carriages and Stroller Regulations.

US

Instructions

IMPORTANT:

- READ THESE INSTRUCTIONS CAREFULLY BEFORE USE AND KEEP THEM FOR FUTURE REFERENCE.
- APPLY BOTH BRAKES WHEN PARKING THE STROLLER.
- YOUR CHILDREN'S SAFETY MAY BE AFFECTED IF YOU DO NOT FOLLOW THESE INSTRUCTIONS.

1 TO OPEN THE STROLLER

- A Release storage clip.
- B Open out the stroller.
- C Using foot, push the footplate down fully to engage the primary lock.

 **WARNING:** Ensure that all locking devices are engaged before use.

2 TO OPERATE BRAKES

- A TO ENGAGE BRAKES: With foot, pull the brake levers fully back.
- B TO RELEASE BRAKES: Push the brake levers fully forward.

 **WARNING:** Parking device shall be engaged during the loading and unloading of children.

3 TO OPERATE FRONT WHEEL SWIVEL LOCKS

- A TO LOCK SWIVELS: Lift BOTH swivel locking levers.
- B TO UNLOCK SWIVELS: Push down BOTH swivel locking levers.

4 SEAT BELT/SHOULDER HARNESS OPERATION

 **WARNING:** Avoid serious injury from falling or sliding out. Always use the crotch strap in combination with the waist belt and shoulder straps.

TO FIT HARNESS:

- A Insert both fasteners securely into clasp.
- B Adjust strap lengths. Belt, crotch strap and harness should be snug.
- C 'D' rings are included for an additional harness, if desired.

TO RELEASE HARNESS:

- D Squeeze fastener prongs and pull apart.

5 TO FIT HEAD CUSHION (if supplied)

- A Unclip shoulder harness straps from clasp and pass through head cushion holes.
- B Attach Velcro straps to corresponding Velcro strips on seat rear.

6 TO FIT HARNESS PADS (if supplied)

- A Lay open pad under shoulder harness strap.
- B Fold pad over and secure Velcro strips.

7 TO OPERATE THE LEGREST

TO EXTEND THE LEGREST: Feel through seat corner openings. Locate sliders and pull forward. Reverse this process to retract legrest.

8 TO ADJUST SEAT RECLINE

- A TO RECLINE SEAT BACK: Lift both hand grips to release seat locks and slide the seat back to desired position. Lower hand grips to engage locks on both sides.
- B TO RAISE SEAT BACK: From rear of stroller push seat back to original upright or desired intermediate position.

9 TO ATTACH THE HOOD

CAUTION: Overloading may cause a hazardous unstable condition to exist. Maximum total capacity of hood pockets - 1.11lb (0.5 kg).

- A With stroller open clip the hood to the handle tubes just above the retaining blocks.
- B Wrap velcro strips around handle tubes.
- C Place rear apron behind seat back and attach poppers to seat sides (one each side).
- D Extend hood and press down on side hinges to lock open.

TO TILT HOOD:

- E Fully unzip back panel.
- F Tilt hood forward.
- G Attach hood rear apron poppers to seat back when the seat is in the fully reclined position.
- H The hood is removed by firmly pressing down the clip release tabs.

10 TO ADJUST HANDLE LENGTHS

- A Press triggers.
- B Slide handles until triggers locate in one of 3 positions. Release triggers to lock.

11 TO FIT THE RAIN APRON

- A Return hood to non-tilted position before fitting rain apron.
- B Ensure visor is folded away beneath the hood.
- C Place the apron over the hood front.
- D Attach two eyelets (one each side) to the hood clips.
- E Attach the two eyelets (one each side) to the front legs.

12 TO FIT THE SHOPPING BAG

CAUTION: Overloading may cause a hazardous unstable condition to exist. Maximum load 4.4lb (2kg) evenly distributed. The stroller may be folded with the bag still attached but all contents must be removed. Failure to do this could damage stroller and contents of shopping bag.

- A Place bag on the 'X' frame under seat with lowest edge of bag at front.
- B Attach front straps to front legs just below seat.
- C Attach rear straps to rear legs just above horizontal tie bar.

13 TO FOLD THE STROLLER

Ensure visor is folded away beneath the hood. Ensure the seat back is in its fullest upright position and the hood(if fitted) is folded back.

Remove contents of shopping bag.

It is recommended that the harness is fastened before folding the stroller.

- A Using foot, lift up on footplate to release primary lock.
- B Push down on secondary lock lever.
- C Grip handles and push forward.
- D Compress folded stroller and engage the storage clip.

14 REMOVING AND REFITTING THE SEAT COVER

Remove hood, shoulder pads and seat retention straps from stroller if fitted.

- A Twist shoulder strap end buckles and feed through holes.
- B Feed waist strap fasteners through holes.
- C Feed crotch strap buckle through holes.
- D Unclip seat cover retaining straps.
- E Unfasten seat fabric from handle tubes and seat base.
- F Slide fabric from seat back and base.
- G When refitting seat fabric, insert seat back support tubes into fabric flap.
- H When refitting shoulder straps choose the jockey strap fabric holes appropriate to the child's size. Twist the buckles and feed through seat cover, seat back and then through holes in plastic seat back arms.
- J When refitting seat fabric to seat base, choose the fabric holes appropriate to the child's size. Loop fabric flap over legrest strap and pass crotch strap buckle through both holes in seat fabric and then hole in seat base.

SP

Información General

⚠️ ADVERTENCIA: EVITE HERIDAS GRAVES DEBIDO A CAIDAS/ DESLIZAMIENTOS. UTILICE SIEMPRE LAS CORREAS DE LOS ASIENTOS. NUNCA DEJE A LOS NIÑOS SIN VIGILANCIA. LA SEGURIDAD DE UN NIÑO ES SU RESPONSABILIDAD. **IMPORTANTE: GUARDE ESTAS INSTRUCCIONES PARA CONSULTAS FUTURAS. ESTA SILLITA ESTÁ DISEÑADA PARA EL TRANSPORTE DE UN NIÑO.**

- Siga todas las instrucciones atentamente. Un uso incorrecto dañará el cochecito para bebé.
- Este producto ha sido diseñado para un niño de un peso máximo de 25 kg (55lb) y de una altura máxima de 110 cm (44 pulg.)
- Atar siempre el arnés a los niños y no dejarlos nunca sin vigilancia.
- **IMPORTANTE — Es importante para la seguridad de su niño que el arnés sea instalado y ajustado correctamente. Si no ha sido ajustado correctamente de acuerdo con las instrucciones, afectará la estabilidad del stroller.**
- El arnés y el cinturón del asiento no constituyen un sustituto para la supervisión debida por un mayor.
- Los niños deberían estar alejados de las piezas móviles mientras se estén haciendo ajustes. **IMPORTANTE – PELIGRO: Es importante que se tenga mucho cuidado para asegurarse de que los niños se mantienen alejados del cochecito para bebé al plegar o desplegar el producto. Durante estas operaciones es posible cortarse y atraparse los dedos.**
- No lleve más de un niño, cosas ni accesorios encima ni dentro de esta sillita salvo si está permitido en este folleto. Estos pueden inestabilizar el cochecito o aplicar un peso excesivo en el cochecito que podría romperlo.
- La sobrecarga, el plegado incorrecto y el uso de accesorios, por ejemplo asientos para niños, ganchos para bolsas, cubiertas para la lluvia, tablas para cochecitos para bebé, etc., que no sean los autorizados por Maclaren pueden dañar o romper este vehículo.
- Cualquier daño provocado por el uso de accesorios no suministrados por Maclaren no estará cubierto por los términos de nuestra garantía.
- Nunca deje niño/s en el cochecito cuando sube o baja por escaleras normales o mecánicas, o cuando viaja en otras formas de transporte.
- El cochecito para bebé debería siempre abrirse y plegarse fácilmente. No lo fuerce. Puede ser necesario volver a leer las instrucciones.
- Vaya por las curvas y por las superficies irregulares con cuidado. Repetidos impactos dañarán el cochecito para bebé.
- Nunca permita que los niños estén de pie sobre el reposapiés.
- No deje el cochecito para bebé expuesto al calor, por ejemplo al lado de un radiador o a la luz directa del sol.
- No coloque artículos encima de la capota porque esto podría estropearla.

MANTENIMIENTO Y REPARACIÓN

- Este vehículo precisa un mantenimiento rutinario por parte del usuario. Compruebe regularmente que todos los remaches y dispositivos de conexión estén bien apretados y seguros. Inspeccione todos los frenos, ruedas y neumáticos y cámbielos o repárelos si es necesario. Compruebe que todos los dispositivos de seguridad funcionen correctamente, en particular los bloqueos principal y secundario. Éstos deberían tener libertad de movimiento en todo momento. No seguir utilizando un producto que no sea estructuralmente sólido.
- Recomendamos una revisión cada 12 meses.
- Si las ruedas chirrían, lubríquelas con moderación con una capa de silicona o Teflon. NO utilice productos basados en aceite o grasa, dado que éstos atraerán la suciedad, que dificultará el movimiento.
- Solamente deberían utilizarse piezas de repuesto de Maclaren. Puede no ser seguro utilizar piezas no suministradas por Maclaren.

LIMPIEZA

- Limpie la estructura con un paño húmedo y un detergente suave y séquela bien. No use productos abrasivos.
- Si partes del stroller han sido expuestas a agua salada, recomendamos enjuagarlas con agua fresca de llave con la brevedad posible.
- Se puede limpiar la visera frotándola ligeramente con un paño húmedo y un detergente suave. Se pueden lavar la cubierta del asiento, la almohada de cabeza y las almohadillas del arnés - véase la etiqueta para detalles. Secarlos bien antes de usarlos.
- No pliegue ni almacene el producto mientras esté húmedo y no lo guarde nunca en un entorno húmedo dado que esto puede hacer que se forme moho.

Maclaren retiene el derecho de realizar cambios de diseño a cualquiera de sus productos como parte de su programa de mejoramiento continuo.

Este producto está diseñado y fabricado para cumplir con la Especificación de Rendimiento de Seguridad Estándar para el Consumidor ASTM F833 para Transportes/Cochecitos para Bebé. Este producto ha sido diseñado y fabricado para que conforme con la norma Canadiense SOR/91-350, s I(F) Carritos y Strollers.

SP

Instrucciones

IMPORTANTE:

- **LEA ESTAS INSTRUCCIONES CUIDADOSAMENTE ANTES DE USAR EL STROLLER Y RETÉNGALAS PARA PODER CONSULTARLAS EN EL FUTURO.**
- **LA SEGURIDAD DE SU NIÑO PODRÍA SER AFECTADA SI NO CONFORMA CON ESTAS INSTRUCCIONES.**
- **APLICAR AMBOS FRENSOS CUANDO APARCA EL STROLLER**

1 PARA ABRIR LA SILLITA DE RUEDAS

- A Soltar el clip de almacenamiento
 - B Abrir la sillita de ruedas.
 - C Usando el pie, empujar la placa pedal totalmente hacia abajo hasta enganchar el bloqueo primario
- ADVERTENCIA: Asegure que todos los dispositivos de bloqueo están firmemente bloqueados antes de usarla

2 PARA ACCIONAR LOS FRENSOS

- A PARA PONER LOS FRENSOS: Con el pie, tirar las palancas de los frenos totalmente para atrás.
 - B PARA SOLTAR LOS FRENSOS: Empujar las palancas de los frenos totalmente para adelante.
- ADVERTENCIA: El dispositivo de aparcamiento debe estar activado cuando se cargan o descargan niños

3 PARA OPERAR LOS BLOQUEOS DE LAS RUEDAS GIRATORIAS DELANTERAS

- A PARA BLOQUEAR EL EFECTO GIRATORIO : Levantar AMBAS palancas de bloqueo del efecto giratorio.
- B PARA DESBLOQUEAR EL EFECTO GIRATORIO : Empujar hacia abajo AMBAS palancas de bloqueo del efecto giratorio.

4 USO DEL ARNÉS DE SEGURIDAD

ADVERTENCIA: Evitar lesiones graves causadas por caídas o resbalamiento del asiento. Siempre usar el entrepiernas en combinación con la correa de cintura y las correas de hombros.

PARA COLOCAR EL ARNÉS:

- A Insertar ambos sujetadores de forma segura en la hebilla.
- B Ajustar la longitud de las correas. El cinturón, la correa de entrepiernas y el arnés deberán quedar bien ajustados.
- C Se incluyen anillas en forma de "D" para un arnés adicional, si se desea.

PARA SOLTAR EL ARNÉS:

- D Presionar las puntas de las sujeciones y sepárelas de la hebilla.

5 PARA INSTALAR LA ALMOHADA DE CABEZA (si está provisto)

- A Soltar el arnés de las correas del hombro de la hebilla y pasarlas por los agujeros de la almohada de cabeza.
- B Unir las correas de Velcro a las tiras de Velcro correspondientes en la parte posterior del asiento.

6 PARA INSTALAR LAS ALMOHADILLAS DEL ARNÉS: (si está provisto)

- A Colocar la almohadilla abierta sobre la correa del arnés de hombro.
- B Doblar la almohadilla y unir las tiras de Velcro.

7 PARA USAR EL REPOSAPIERNAS

PARA EXTENDER EL REPOSAPIERNAS: Sentir debajo las aberturas de las esquinas del asiento. Encontrar las dos correderas y deslizarlas para afuera. Para retraer el reposapiernas, invertir el proceso.

8 AJUSTE DE LA INCLINACIÓN DEL ASIENTO:

- A PARA RECLINAR EL RESPALDO: Levantar ambos manillares para liberar los bloqueos del asiento y deslice el asiento hacia atrás a la posición deseada. Bajar los manillares para aplicar los bloqueos a ambos lados.
- B PARA LEVANTAR EL RESPALDO: Desde atrás de la sillita, empujar el respaldo a la posición vertical original o a la posición intermedia si se desea.

9 CÓMO PONER LA CAPOTA

ADVERTENCIA: La sobrecarga puede crear una condición inestable peligrosa. Capacidad de carga máxima de los bolsillos de la capota: 0,5 kg.

- A Con la sillita abierta, sujetar la capota a los tubos de los manillares justo encima de los pasadores de retención.
- B Pasar las tiras de Velcro por los tubos de los manillares.

- C Colocar la parte trasera de la cubierta detrás del respaldo del asiento y conectar los botones de presión a los lados del asiento (uno en cada lado)..
- D Extender la capota y apriete hacia abajo sobre las bisagras laterales para que permanezcan abiertas.

PARA INCLINAR LA CAPOTA

- E Abrir totalmente la cremallera del panel trasero.
- F Inclinar la capota hacia adelante.
- G Conectar los botones de presión a la espalda del asiento cuando el asiento está en su posición totalmente reclinada.
- H Se quita la capota apretando firmemente sobre las orejetas de liberación.

10 COMO AJUSTAR LA LONGITUD DE LOS MANILLARES:

- A Apretar los gatillos.
- B Deslizar los manillares hasta que los gatillos enganchan en una de las 3 posiciones. Para bloquear los manillares, soltar los gatillos.

11 PARA COLOCAR LA CUBIERTA DE PROTECCIÓN CONTRA LA LLUVIA:

- A Antes de instalar el protector contra la lluvia, poner a la capota en su posición no inclinada.
- B Asegurar que la visera está doblada debajo de la capota.
- C Colocar la cubierta de protección encima de la parte delantera de la capota.
- D Conectar los dos ojales (uno en cada lado) a los clips de la capota.
- E Conectar los dos ojales (uno en cada lado) a las patas delanteras.

12 INSTALACIÓN DE LA BOLSA DE COMPRA:

ADVERTENCIA: La sobrecarga puede crear una condición inestable peligrosa.

Capacidad de carga máxima: 2 kg.

Se puede plegar la sillita con la bolsa todavía instalada, pero es imprescindible primero sacar todo el contenido de la bolsa de compra . Si no se vacía, podría dañar la sillita y estropear el contenido de la bolsa.

- A Colocar la bolsa sobre la estructura en 'X' debajo del asiento con el borde más bajo de la bolsa hacia adelante.
- B Conectar las correas delanteras a las patas delanteras justo debajo del asiento.
- C Conectar las correas traseras a las patas traseras justo encima de la barra horizontal.

13 PARA PLEGAR LA SILLITA

Asegurar que la visera está plegado debajo de la capota. Asegurar que el respaldo del asiento está totalmente vertical y que la capota (en su caso) está plegada hacia atrás.

Sacar todo el contenido de la bolsa de compra.

Se recomienda que el arnés esté conectado antes de plegar la sillita.

- A Con el pie, levantar la placa del pedal para liberar el bloqueo primario.
- B Empujar hacia abajo sobre la palanca de bloqueo secundario.
- C Agarrar a los manillares y empujar hacia adelante.
- D Comprimir la sillita plegada y enganchar el clip de almacenamiento.

14 EXTRACCIÓN Y REINSTALACIÓN DE LA CUBIERTA DEL ASIENTO

Retirar de la sillita la capota, almohadillas del hombro y almohada de cabeza.

- A Girar la correa del hombro y su hebilla, y pasarla por los agujeros.
- B Pasar los sujetadores de correa del cinturón por los agujeros.
- C Pasar la hebilla de la correa de entrepierna por los agujeros.
- D Desconectar las correas de retención de la cubierta del asiento.
- E Desconectar el tejido del asiento de los manillares y de la base del asiento.
- F Deslizar el tejido del respaldo y de la base del asiento.
- G Al reinstalar el tejido del asiento, insertar los tubos de soporte del respaldo del asiento por la solapa del tejido.
- H Al reinstalar las correas del hombro, elegir los agujeros de tejidos adecuados para el tamaño del niño. Girar las hebillas y pasarlas por la cubierta del asiento, el respaldo del asiento y luego por los agujeros en los reposabrazos del respaldo del asiento.
- J Al reinstalar el tejido en la base del asiento, elegir los agujeros de tejidos adecuados para el tamaño del niño. Pasar la solapa del tejido encima de la correa del reposapiernas y pase la hebilla del entrepierna por ambos agujeros en el tejido del asiento y por el agujero en la base del asiento.

FR

Informations Generales

⚠ AVERTISSEMENT: UTILISER LE HARNAIS DE SÉCURITÉ POUR ÉVITER QUE L'ENFANT CHÛTE OU GLISSE ET QU'IL SE BLESSE GRAVEMENT. NE JAMAIS LAISSER L'ENFANT SANS SURVEILLANCE.

IMPORTANT: CONSERVER CETTE NOTICE POUR CONSULTATION FUTURE. LA SÉCURITÉ DE VOTRE ENFANT EST ENTRE VOS MAINS. CETTE POUSSETTE EST PRÉVUE POUR TRANSPORTER UN ENFANT.

- Suivre attentivement les directives; l'emploi impropre endommagera la poussette.
- Ce produit a été conçu pour un enfant pesant jusqu'à 25 kg et mesurant jusqu'à 110 cm.
- L'enfant doit toujours être attaché à l'aide du harnais et ne doit jamais être laissé sans surveillance.
- **IMPORTANT – Pour la sécurité de votre enfant, il est important que le harnais soit correctement attaché et réglé. S'il n'est pas réglé correctement conformément aux instructions données, la stabilité de la poussette s'en trouvera gênée.**
- Le harnais et la ceinture de sécurité ne peuvent remplacer la surveillance d'un adulte.
- L'enfant doit être tenu éloigné d'éléments mobiles pendant l'ajustement. **IMPORTANT – DANGER: il faut redoubler de prudence au moment de plier et de déplier la poussette pour éviter que l'enfant se blesse. Ne pas le laisser s'approcher de la poussette, car il pourrait se coincer les doigts et se pincer.**
- Ne pas transporter un enfant, des articles ou accessoires supplémentaires dans ou sur la poussette, sauf ce qui est autorisé dans cette notice. Cela pourrait déstabiliser la poussette ou exercer une pression excessive et occasionner un bris.
- Le fait de surcharger, de mal plier et d'utiliser des accessoires autres que ceux approuvés par Maclaren, comme par exemple un siège d'enfant, un crochet à sacs, un habillage pluie, une tablette, etc., pourrait endommager ou abîmer ce véhicule.
- Tout dommage causé par l'utilisation d'accessoires non fournis par Maclaren ne sera pas couvert par les modalités de notre garantie.
- Ne jamais laisser un enfant dans la poussette quand vous montez ou descendez un escalier ou un escalier mécanique, ou quand vous empruntez d'autres formes de transport.
- La poussette devrait toujours s'ouvrir et se plier facilement. Ne pas forcer; lire de nouveau la notice au besoin.
- Manœuvrer les courbes et les terrains accidentés avec prudence. Les chocs répétés endommageront la poussette.
- Ne jamais laisser d'enfants debout sur le repose-pieds.
- Ne pas laisser la poussette exposée à la chaleur, c'est-à-dire près d'un radiateur ou à la lumière directe du soleil.
- Ne pas poser d'objets sur le dessus de la capote, car cela pourrait l'endommager.

ENTRETIEN ET RÉPARATIONS

- Ce véhicule nécessite un entretien régulier de la part de l'utilisateur. Vérifier régulièrement que tous les rivets et les dispositifs de liaison sont bien ajustés et solides. Inspecter les freins, les roues et les pneus, et les remplacer ou les réparer le cas échéant. Vérifier que tous les dispositifs de sécurité fonctionnent correctement, en particulier les premier et second verrous. Ceux-ci devraient toujours pouvoir bouger. Ne jamais continuer à utiliser un produit qui n'est pas de construction solide.
- Nous recommandons une révision tous les 12 mois.
- Si les roues grincent, les graisser avec modération à l'aide d'un produit à base de silicone ou de Téflon. Ne PAS utiliser de produits à base d'huile ou de graisses, car cela encrasserait les éléments et entraverait le mouvement.
- Seules les pièces de rechange Maclaren doivent être utilisées. Il serait imprudent d'utiliser des pièces non fournies par Maclaren.

NETTOYAGE

- Nettoyer le châssis à l'aide d'un chiffon humide et d'un détergent doux, puis faire sécher complètement. Ne pas utiliser d'abrasifs.
- Si les pièces du châssis de la poussette ont été en contact avec de l'eau de mer, il est conseillé de les rincer dès que possible à l'eau douce.
- La capote peut être essuyée légèrement à l'aide d'un chiffon humide et d'un détergent doux. La housse de siège, le couvre-jambes, la doublure de siège et l'appuie-tête sont lavables; voir les étiquettes d'entretien.
Faites sécher complètement avant de réutiliser.
- Ne pas plier ou ranger le produit lorsqu'il est mouillé et ne jamais ranger dans un milieu humide, car de la moisissure pourrait se former.

Maclaren se réserve le droit d'effectuer des modifications au design et ce, pour tous les produits, dans le cadre de son programme de développement continu.

Ce produit est conçu et fabriqué en conformité avec le règlement F832 de l'ASTM portant sur les caractéristiques techniques standards des landaus et des poussettes; il est homologué par la JPMA. Ce produit est conçu et fabriqué en conformité avec la norme Canadienne SOR/91-350.s.1(F) concernant le règlement sur les landaus et les poussettes.

Notice d'emploi

IMPORTANT:

- **LIRE ATTENTIVEMENT LA NOTICE D'EMPLOI AVANT USAGE ET LA CONSERVER POUR CONSULTATION FUTURE.**
- **SI VOUS NE SUIVEZ PAS CES CONSIGNES, LA SÉCURITÉ DE VOTRE ENFANT PEUT ÊTRE COMPROMISE.**
- **ACTIONNEZ LES DEUX FREINS POUR IMMOBILISER LA POUSSETTE**

1 OUVERTURE DE LA POUSSETTE

- A Dégagez la barrette de blocage.
- B Ouvrez la poussette.
- C Avec le pied, poussez la pédale à fond vers le bas pour enclencher le dispositif de verrouillage principal.

ATTENTION: Assurez-vous que tous les dispositifs de verrouillage sont bien enclenchés avant l'utilisation.

2 UTILISATION DES FREINS

- A POUR ACTIONNER LES FREINS : avec le pied, tirer les DEUX leviers de freins à fond vers l'arrière.
- B POUR DÉBLOQUER LES FREINS : pousser les DEUX leviers de freins à fond vers l'avant.

ATTENTION: Assurez-vous que tous les freins sont enclenchés quand vous mettez l'enfant dans la poussette ou quand vous l'en sortez. Les DEUX freins doivent être utilisés.

3 FONCTIONNEMENT DES DISPOSITIFS DE BLOCAGE DU PIVOTEMENT DES ROUES AVANT

- A POUR BLOQUER LES ROUES PIVOTANTES: soulevez LES DEUX leviers de blocage.
- B POUR DÉBLOQUER LES ROUES PIVOTANTES : abaissez LES DEUX leviers de blocage.

4 UTILISATION DE LA CEINTURE DE SECURITE / DU HARNAIS

AVERTISSEMENT: ÉVITER QUE L'ENFANT SE BLESSE EN TOMBANT OU EN GLISSANT DE LA POUSSETTE. TOUJOURS UTILISER LA CEINTURE DE SÉCURITÉ.

POUR METTRE LE HARNAIS :

- A Enclenchez fermement les deux attaches dans le fermoir.
- B Ajustez la longueur des sangles en faisant coulisser les boucles. La ceinture, la sangle d'entrejambe et le harnais doivent être bien ajustés.

POUR ENLEVER LE HARNAIS

- C Appuyez sur les griffes d'attache et tirez pour les dégager.

5 INSTALLATION DU CALE-TÊTE (si fourni)

- A Détachez les bretelles et passez-les dans les trous de l'appuie-tête.
- B Attachez les bandes velcro (boucles) aux bandes velcro correspondantes (crochets) du dossier.

6 INSTALLATION DE L'APPUIE-TÊTE (si fourni)

- A Détachez les bretelles et passez-les dans les trous de l'appuie-tête.
- B Attachez les bandes velcro (boucles) aux bandes velcro correspondantes (crochets) du dossier.

7 INSTALLATION DES COUSSINETS DU HARNAIS

- A Placez le coussinet ouvert sous la bretelle.
- B Repliez le coussinet et fermez à l'aide des bandes velcro.

8 FONCTIONNEMENT DU REPOSE-JAMBES

POUR ALLONGER LE REPOSE-JAMBES: Repérer les ouvertures situées aux coins du siège, saisir le repose-pieds et le tirer vers l'avant. Faites l'inverse pour rétracter le repose-jambes.

9 RÉGLAGE DE L'INCLINAISON DU SIÈGE

- A POUR INCLINER LE DOSSIER: Soulevez les deux poignées pour libérer les blocages du siège et inclinez le dossier dans la position souhaitée. Abaissez les poignées pour enclencher le verrouillage des deux côtés.
- B POUR REDRESSER LE DOSSIER DU SIÈGE: De l'arrière de la poussette, poussez le dossier en position verticale ou dans la position intermédiaire souhaitée.

10 MISE EN PLACE DE LA CAPOTE

ATTENTION: toute surcharge peut rendre la poussette instable et s'avérer dangereuse. Capacité maximale des poches de la capote : 0,5 kg.

- A Une fois la poussette dépliée, fixer la capote aux tiges des poignées juste au-dessus des blocs de retenue.

- B Entourer les tiges des poignées avec les bandes Velcro.

- C Placer le tablier arrière au dossier du siège et fixer les boutons pression de chaque côté du siège.

- D Déplier la capote et presser vers le bas sur les charnières latérales afin des les verrouiller en position ouverte.

COMMENT INCLINER LA CAPOTE :

- E Ouvrir intégralement la fermeture éclair du panneau arrière.

- F Incliner la capote vers l'avant.

- G Fixer les boutons pression du tablier arrière de la capote au dossier du siège une fois que le siège est complètement à plat.

- H Pour retirer la capote, appuyer fermement sur les taquets.

Une pochette est prévue dans la poche supérieure et pour y loger un téléphone portable.

11 RÉGLAGE DE LA LONGUEUR DES CANNES

- A Appuyez sur les gâchettes.

- B Faites coulisser les poignées jusqu'à ce que les gâchettes se bloquent dans une des trois positions. Relâchez les gâchettes pour verrouiller.

12 INSTALLATION DE L'HABILLAGE PLUIE

- A Remplacer la capote en position normale non inclinée avant de fixer l'habillage pluie.

- B Assurez-vous que le rabat est replié sous la capote.

- C Placez l'habillage sur le bord avant de la capote.

- D Fixez les deux œillets (de chaque côté) aux pinces de la capote.

- E Fixez les deux œillets (un de chaque côté) aux pieds avant.

13 INSTALLATION DU SAC À PROVISIONS

ATTENTION: toute surcharge peut rendre la poussette instable et s'avérer dangereuse. Capacité maximale de 2 kg à répartir uniformément.

Assurez-vous que le rabat est replié sous la capote. Il est possible de replier la poussette avec le sac à provisions en place si ce dernier est vide ; si le sac est rempli, la poussette et le contenu du sac à provisions risquent d'être endommagés.

- A Placez le sac sur le cadre en X sous le siège, le bord inférieur du sac sur le devant.

- B Attachez les sangles avant aux pieds avant, juste sous le siège.

- C Attachez les sangles arrière aux pieds arrière, juste au-dessus de la barre de fixation horizontale.

14 PLIAGE DE LA POUSSETTE

Assurez-vous que le rabat est replié sous la capote.

Assurez-vous que le dossier est en position verticale et que la capote (le cas échéant) est repliée vers l'arrière. Videz le sac à provisions.

Il est recommandé d'attacher le harnais avant de plier la poussette.

- A Avec le pied, soulevez la pédale pour débloquer le dispositif de verrouillage principal.

- B Abaissez le levier de verrouillage secondaire.

- C Saisissez les poignées et poussez-les vers l'avant.

- D Appuyez sur la poussette repliée et enclenchez la barrette de blocage.

15 RETRAIT ET REMISE EN PLACE DE LA HOUSSE DE SIÈGE

Enlevez la capote, les coussinets de bretelles et l'appuie-tête de la poussette le cas échéant.

- A Tournez les boucles des bretelles de façon à pouvoir les passer dans les trous.

- B Faites passer les attaches de la ceinture dans les trous.

- C Faites passer la boucle de la sangle d'entrejambe dans les trous.

- D Détachez les sangles de retenue de la housse de siège.

- E Détachez le tissu du siège des tubes de cannes et de l'assise du siège.

- F Faites glisser le tissu du dossier et de l'assise du siège.

- G Pour remettre le tissu en place sur le siège, glissez les tubes de soutien du dossier dans le rabat du tissu.

- H Lorsque vous réinstallez les bretelles, choisissez les trous adaptés à la taille de l'enfant. Tournez les boucles de façon à les faire passer à travers la housse du siège, le dossier, puis les trous des bras du dossier en plastique.

- J Lorsque vous réinstallez la housse du siège, choisissez les trous adaptés à la taille de l'enfant. Faites passer le rabat d'étoffe par-dessus la sangle du repose-jambes et faites passer la boucle de la sangle d'entrejambe dans les deux trous de la housse puis dans le trou de l'assise du siège.