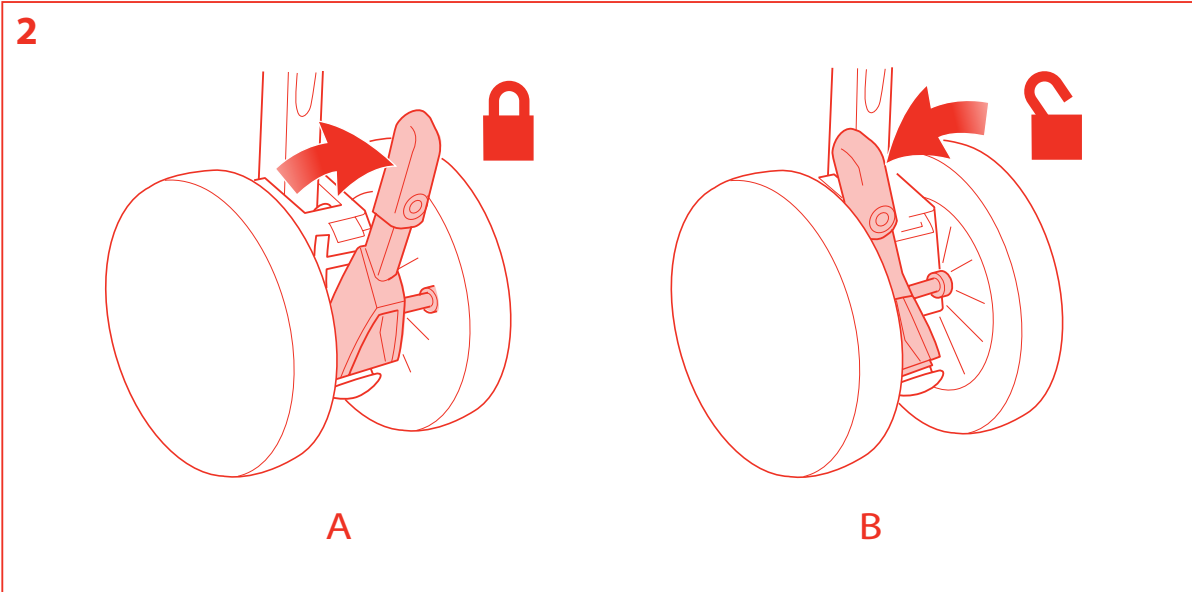
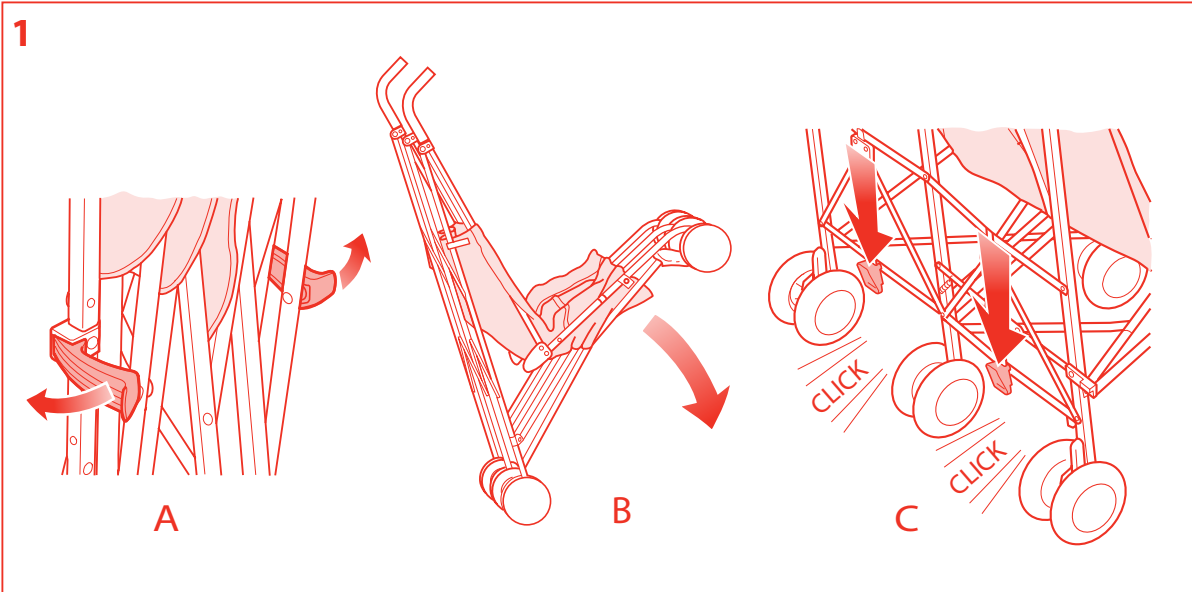


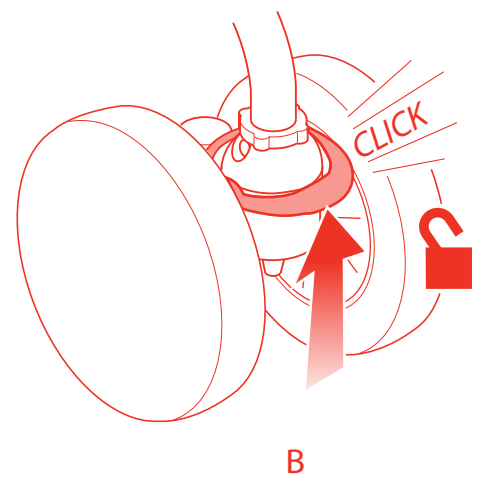
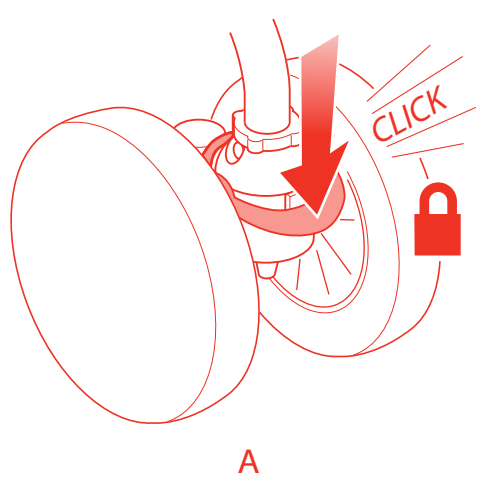


MACLAREN

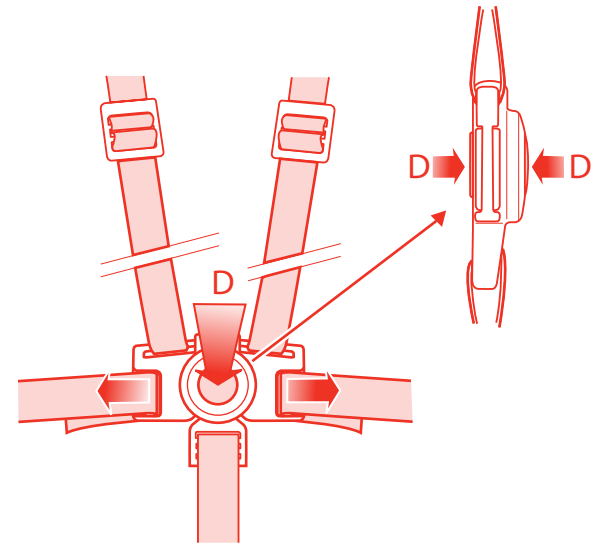
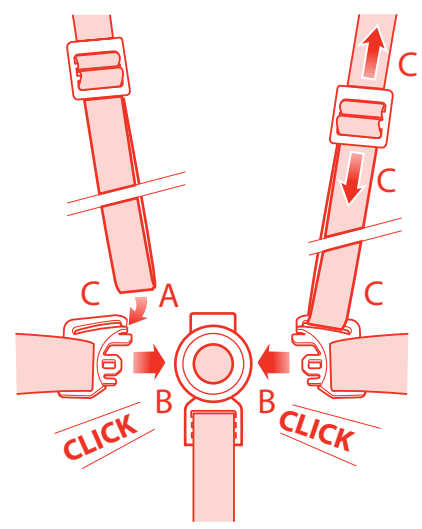
twin triumph



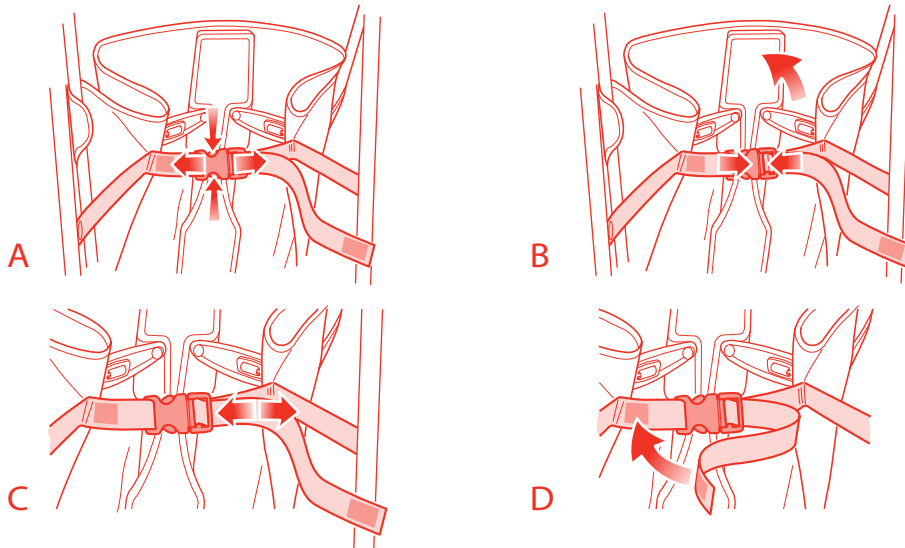
3



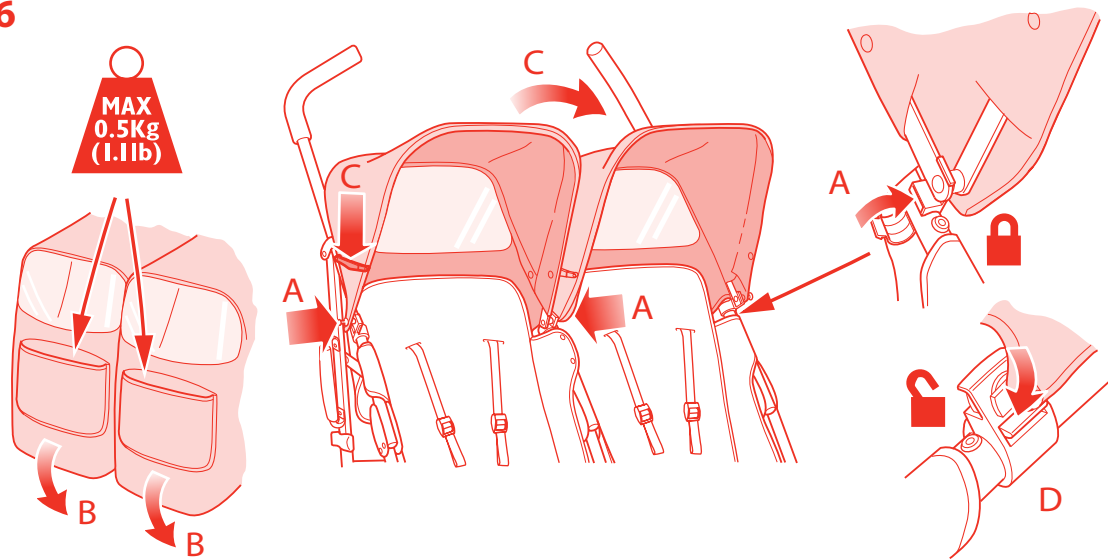
4

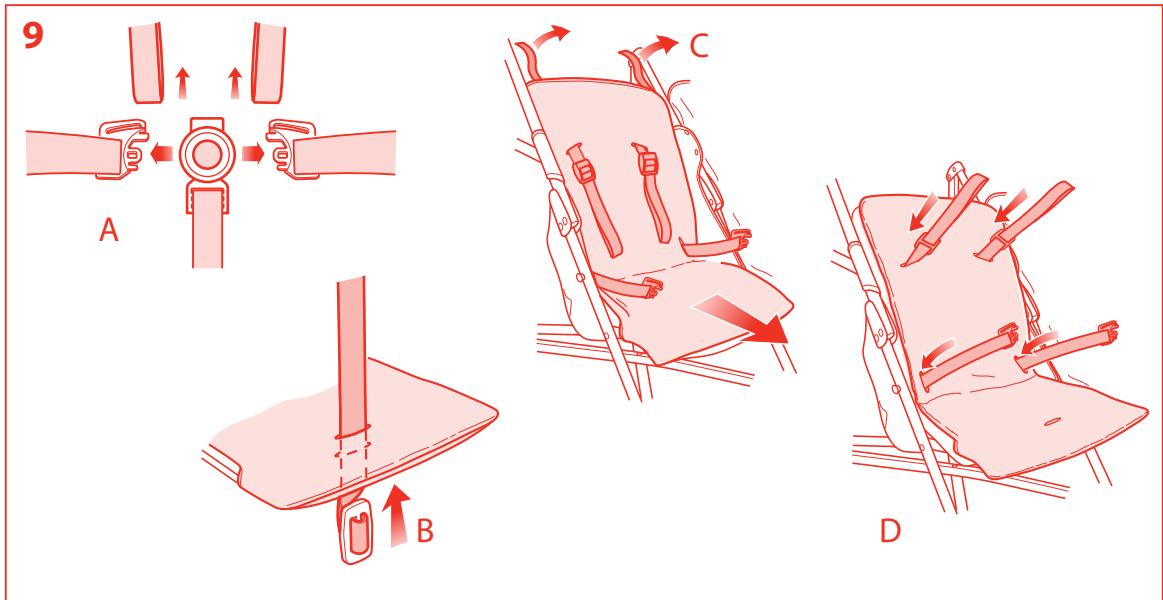
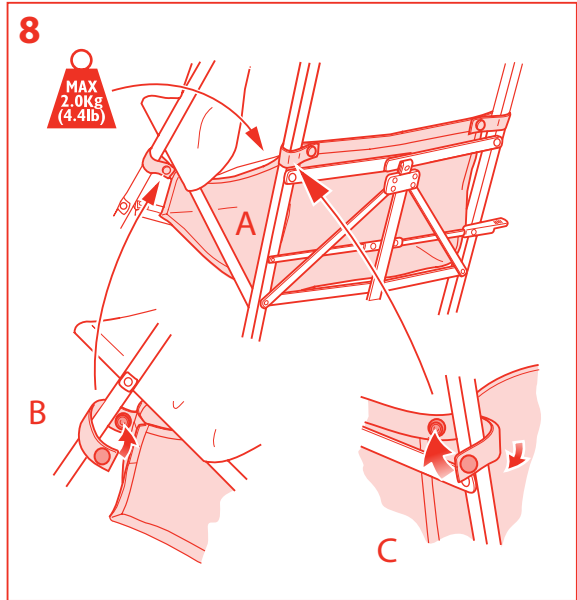
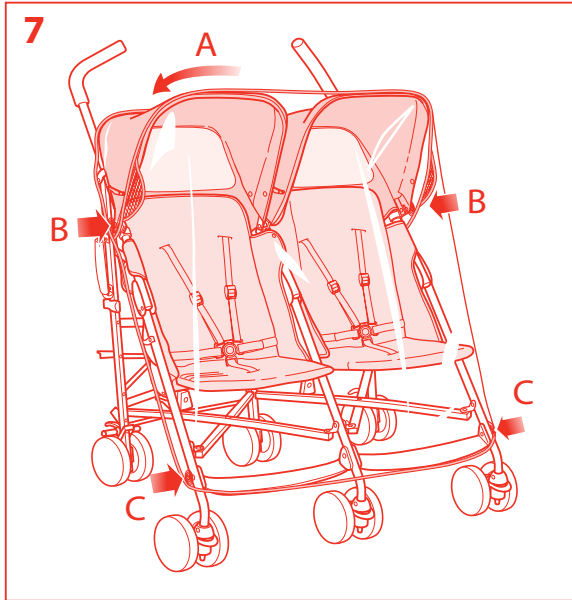


5

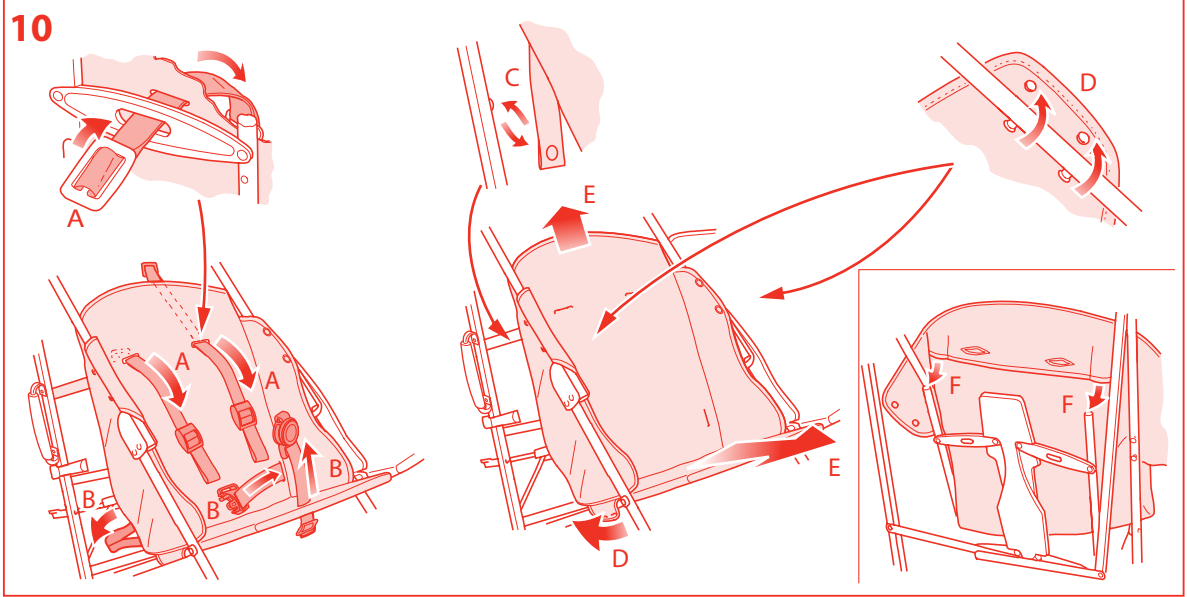


6

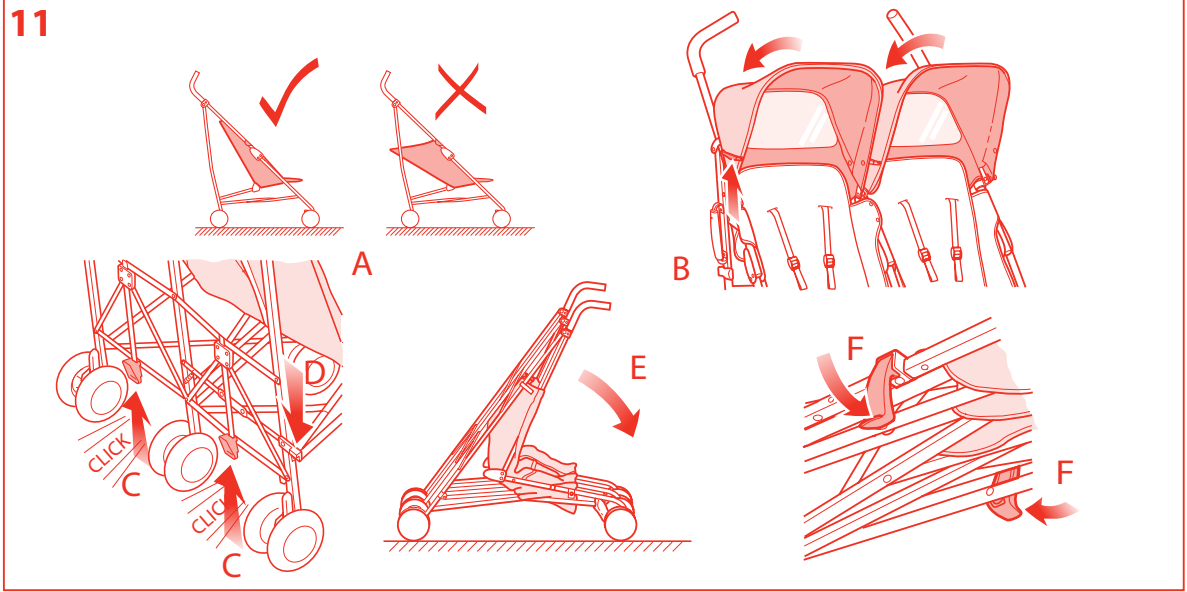




10



11



Maclaren Basic Warranty

All Maclaren Buggys purchased from authorised retailers are automatically covered by the Basic 1 Year Warranty.

Beginning with the 2008 Collection, Maclaren Buggys purchased from authorised retailers can be registered for *Sovereign Lifetime Warranty™*; see adjacent information.

Basic Warranty Benefits

The Basic 1 Year Warranty is honoured by our Authorised Service Centres/Service Agents, upon presentation of proof of purchase from an Authorised Retailer, to the original Purchaser. Please retain your proof of purchase.

How to activate

Coverage is automatic; you do not need to activate the Basic Warranty, however proof of purchase is required for servicing under warranty. If you received the buggy as a gift and do not have proof of purchase, you must register online for the *Sovereign Lifetime Warranty™*, in order to have warranty coverage.

What it covers

The Basic Warranty covers any manufacturing defects in materials and workmanship, for buggies used in normal conditions and in compliance with operating instructions, during the 12 months following purchase.

What it does not cover

Damage caused by normal wear and tear, accident or negligence. Examples include wheels and fabric worn down by regular use and the natural breakdown of colours and materials over extended time and use. Please refer to the product's instruction leaflet, for guidance on how to maintain your buggy.

Buggies purchased from an unauthorised Retailer. Repairs carried out by an unauthorised third party. Should a repair be needed please refer to our Authorised Service Centres/Service Agents listing at maclarenbaby.com Maclaren reserves the right to determine if warranty terms and conditions have been met.

Where it applies

The Basic Warranty applies only in the country of purchase. Important Note: This Warranty is given in addition to and does not affect your statutory (legal) rights.

We encourage you to visit your closest Authorised Service Centre/Service Agent. Alternatively, if you are shipping your buggy to an Authorised Service Centre/Service Agent, free shipping under Basic warranty needs to be authorised by Maclaren Customer Service prior to shipping.

For full and complete details on how to qualify and what conditions you must meet, refer to the Frequently Asked Questions section of our website,

www.maclarenbaby.com/warranty/faqs

Thank you for choosing Maclaren.

Enjoy your Maclaren Buggy!

THIS WARRANTY IS GIVEN IN ADDITION TO AND DOES NOT AFFECT YOUR STATUTORY RIGHTS

IMPORTANT warranty will be void if defaced or removed from buggy, carton or this instruction leaflet.

THIS WARRANTY IS GIVEN IN ADDITION TO AND DOES NOT AFFECT YOUR STATUTORY RIGHTS

Maclaren Sovereign Lifetime Warranty™

New!

Beginning with the 2008 Collection, Maclaren Buggys purchased from authorised retailers can be registered for lifetime coverage. Register within 45 days of purchase or receipt as a gift for the *Sovereign Lifetime Warranty™* coverage, offered on a complimentary basis for a limited time only. It's the best buggy warranty coverage anywhere.

Benefits

- Global coverage: *Sovereign Lifetime Warranty™* honoured by our Authorised Service Centres/Service Agents everywhere.
- Advance Notice of New Products: receive news in advance of release to the general public.
- Emergency Alerts: you will be contacted immediately in the case of safety alerts. The Maclaren *Sovereign Lifetime Warranty™* reflects our confidence, which we want to pass on to you, our Customer, in the unsurpassed quality of Maclaren's design, engineering, production and quality control.

How to activate

All Maclaren 2008 Collection Buggys purchased at an authorised retailer qualify to be registered for the Lifetime Warranty. They must be registered online, at maclarenbaby.com within 45 days of purchase, or in the case of a gift, within 45 days of receiving the gift, in order to benefit from the Lifetime Warranty. If you should choose not to register your buggy for the *Sovereign Lifetime Warranty™*, it remains automatically covered by the Basic Warranty.

What it covers

The *Sovereign Lifetime Warranty™* covers any manufacturing defects in materials and workmanship, or buggies used in normal conditions and in compliance with operating instructions.

What it does not cover

- Damage caused by normal wear and tear, accident or negligence. Examples include wheels and fabric worn down by regular use and the natural breakdown of colours and materials over extended time and use. Please refer to the product's instruction leaflet for guidance on how to maintain your buggy.
- Buggies purchased from an unauthorised Retailer.
- Repairs carried out by an unauthorised third party. Should a repair be needed please refer it to an Authorised Service Centre/Service Agent. Listings are available by country at maclarenbaby.com
- Shipping to and from an Authorised Service Centre/Service Agent. Maclaren reserves the right to determine if warranty terms and conditions have been met.

Who can register

The original Purchaser, or in the case of a gift, the Recipient of the buggy, can register online for the *Sovereign Lifetime Warranty™*, in his or her name.

Where it applies

The *Sovereign Lifetime Warranty™* is recognised anywhere in the world where there are Maclaren Authorised Service Centres/Service Agents. Whether you're at home or abroad, you can find a list of local Authorised Service Centres/Agents by checking the local Maclaren website. See links to country websites at our homepage maclarenbaby.com

What lifetime means

"Lifetime" is defined as the period of use by the Registrant for her/his children. Lifetime does not include hand-me-downs or secondary purchases of the buggy.

Important Note

The *Sovereign Lifetime Warranty™* is given in addition to and does not affect your statutory (legal) rights. All Maclaren Buggys purchased from authorised retailers are automatically covered by the Basic 1 Year Warranty.

For full and complete details on how to qualify and what conditions you must meet, refer to the Frequently Asked Questions section of our website,

www.maclarenbaby.com/warranty/faqs

Thank you for choosing Maclaren. Enjoy your Maclaren Buggy!

IMPORTANT warranty will be void if defaced or removed from buggy, carton or this instruction leaflet.

maclarenbaby.com



IMPORTANT – WARRANTY WILL BE VOID IF INFORMATION DEFACED OR REMOVED FROM BUGGY, CARTON OR THIS INSTRUCTION LEAFLET

PLEASE HELP US SUPPORT THE ENVIRONMENT BY RECYCLING

Maclaren is committed to safeguarding the environment by adhering to the principles of: reduce, reuse and recycle.

Maclaren encourages consumers to recycle their old Maclaren Buggys. Maclaren buggys can be dropped off, or shipped at owner's expense, to any of Maclaren's recycling locations below.



Maclaren EUROPE LIMITED
Station Works, Long Buckby,
Northamptonshire NN6 7PF UK
T +44 (0) 1327 841320
F +44 (0) 1327 841395
info@maclaren.co.uk

Maclaren FRANCE SAS
Paris Nord 2, 209, Rue de la Belle
Etoile, BP 55410 Roissy en France,
95944 Ch de Gaulle Cedex
T +33 (0) 1 48 63 88 81
F +33 (0) 1 48 63 88 35
info@maclarenbaby.com

Maclaren USA INC
Outlet and Service Centre
25 Van Zant Street Unit 13A
Norwalk, CT 06855 USA
T 1 877 442 4622
F 1 877 504 8813
info@maclarenbaby.com

Maclaren USA INC
Authorised Repair Centre
150 Wooster Street,
New York, NY 10012 USA
T 1 212 677 2700
F 1 212 677 6767
info@maclarenbaby.com

The words **MACLAREN** and **TRIUMPH**
and associated logos are trade marks.
© Maclaren 2008. All rights reserved.

MS08023 TTR.10.08.USA

Contents

2 EN Attendant user guide

Please read this User Guide fully prior to use ensuring reference is made to the numbered diagrams on the final pages.

Retain this User Guide for future reference.

4, 8 SP Guía del Usuario

Por favor lea detenidamente esta Guía del Usuario antes de usar el producto, refiriéndose a los dibujos con números en las p-ginas finales.

Por favor, retenga esta Guía del Usuario para consultaria en el futuro.

6, 9 FR Notice du fabricant

Avant l'utilisation, lire attentivement cette notice en ayant soin d'examiner les schemas numerates des dernières pages.

Conserver cette notice pour consultation future.

12 Operation Illustrations

17 Warranty Information

General Information & Safety



WARNING: AVOID SERIOUS INJURY FROM FALLING OR SLIDING OUT. ALWAYS USE THE SEAT HARNESS. NEVER LEAVE CHILD UNATTENDED. IMPORTANT: KEEP THESE INSTRUCTIONS FOR FUTURE REFERENCE. A CHILD'S SAFETY IS YOUR RESPONSIBILITY. THIS VEHICLE IS SUITABLE FOR TWO CHILDREN.

- Follow all instructions carefully. Incorrect use will cause damage to stroller.
- This product has been designed for each seat to take the weight of a child of 55 lb maximum and a maximum height of 44".
- Children should be harnessed in at all times and should never be left unattended.
- **IMPORTANT - It is important for your child's safety that the harness be correctly fitted and adjusted. If not adjusted correctly in accordance with the instructions the stability of the stroller will be impaired.**
- The harness and seat belt are not a substitute for proper adult supervision.
- Children should be clear of moving parts while making adjustments.
IMPORTANT - DANGER: It is important that great care is taken to ensure that children are kept well clear of the stroller when folding or unfolding the product. Finger traps and scissoring actions are unavoidable during these operations.
- Do not carry additional children, goods or accessories in or on this stroller except as permitted in this leaflet. They may cause the stroller to become unstable or place undue stress on the stroller that could lead to breakage.
- **WARNING: Any load attached to the handle affects the stability of the pushchair.**
- Overloading, incorrect folding and the use of accessories, e.g. child seats, bag hooks, rain covers, buggy boards, etc., other than those approved by Maclaren may damage or break this vehicle.
- It may be unsafe to use accessories not supplied and approved by Maclaren, items such as child seats, bag hooks, rain covers, buggy boards etc will not be covered by the terms of our warranty.
- Never leave children in the stroller when ascending or descending stairs or escalators or when travelling on other forms of transport.
- The stroller should always open and fold easily. Do not force it. It may be necessary to re-read the instructions.
- Negotiate curbs and rough ground carefully. Repeated impact will cause damage to the stroller.
- Never allow children to stand on the footrest.
- Do not leave the stroller exposed to heat, i.e. by a radiator or in direct sunlight.
- Do not place items on the top of the hood as it may cause damage to the hood.
- **WARNING: This Stroller is not suitable for running or skating.**

MAINTENANCE AND REPAIR

- This vehicle requires regular maintenance by the user. Regularly check all rivets and connecting devices for tightness and security. Inspect all brakes, wheels and tires and replace or repair if necessary. Check all safety devices for correct operation, in particular the primary and secondary locks. These should be free to move at all times. Never continue to use a product that is not structurally sound.
- We recommend a service every 12 months.
- If wheels squeak, lubricate sparingly with Teflon or silicone coating. Do NOT use oil or grease based products, as this will attract dirt, which will clog the movement.
- Only Maclaren replacement parts should be used. It may be unsafe to use parts not supplied by Maclaren.

CLEANING

- Clean frame with a damp cloth and a mild detergent and dry thoroughly. Do not use abrasives.
- If the stroller chassis parts have been exposed to salt water we recommend that they be rinsed down with fresh (tap) water as soon as possible afterwards.
- The hood may be sponged lightly using a damp cloth and a mild detergent. The seat may be washed - see care label for details. Dry thoroughly before reuse.
- Do not fold or store the product while wet and never store in a damp environment as this can cause mildew to form.

Maclaren reserves the right to make design changes to any of their products as part of their continuous improvement programme.

This product is designed and manufactured to comply with ASTM F833 Standard Consumer Safety Performance Specification for Carriages/Strollers and is JPMA certified. This product is designed and manufactured to comply with Canadian standard SOR/91-350, s. 1(F) Carriages and Stroller Regulations.

EN

Instructions

- IMPORTANT:
- READ THESE INSTRUCTIONS CAREFULLY BEFORE USE AND KEEP THEM FOR FUTURE REFERENCE.
 - APPLY BOTH BRAKES WHEN PARKING THE STROLLER.
 - YOUR CHILDREN'S SAFETY MAY BE AFFECTED IF YOU DO NOT FOLLOW THESE INSTRUCTIONS.

1 TO OPEN THE STROLLER

- A Release BOTH storage clips.
- B Open out the stroller.
- C Using foot, push BOTH footplates down fully to engage the primary locks.

CAUTION: Ensure that all locking devices are engaged before use.

2 TO OPERATE BRAKES

- A TO ENGAGE BRAKES: With foot, push BOTH brake levers to the far right.
- B TO RELEASE BRAKES: Push BOTH brake levers to the far left.

NOTE: BOTH brakes should be applied.

CAUTION: Parking device shall be engaged during the loading and unloading of children.

CAUTION: Ensure parking device is engaged before leaving the buggy unattended.

3 TO OPERATE FRONT WHEEL SWIVEL LOCKS

- A TO LOCK SWIVELS: Align front wheels and press down on locking levers.
- B TO UNLOCK SWIVELS: Raise locking levers.

4 SEAT BELT/SHOULDER HARNESS OPERATION

 **WARNING: AVOID SERIOUS INJURY FROM FALLING OR SLIDING OUT. ALWAYS USE SEAT BELT.**

TO FIT HARNESS:

- A Pull shoulder straps over the child's shoulder then attach to the waist clips by sliding strap loops onto the hooks.
- B Insert both waist clips into the clasp, shoulder straps are secured once the clips are fastened.
- C Adjust strap lengths by sliding buckles. Belt and harness should be snug.

TO RELEASE HARNESS:

- D Press the button on both the front and back of the clasp simultaneously to release.

5 TO ADJUST SEAT RECLINE

- A TO RECLINE SEAT BACK: Locate adjustment strap on rear of seat back. Squeeze fastener prongs and pull apart.
- B TO RAISE SEAT BACK: From rear of stroller push seat back to upright position and insert fastener securely into clasp.
- C Further intermediate adjustment can be made by shortening or lengthening the strap.
- D After adjustment, secure the loose strap by attaching the Velcro pads.

6 ATTACHING THE HOOD

CAUTION: Overloading may cause a hazardous unstable condition to exist. Maximum carrying capacity of hood pouch - 1.1 lb (0.5kg) per pouch.

- A With stroller open, clip the hood to the handle tubes just above the retaining rivets.
- B Place the rear apron behind seat backs.
- C Extend hoods and press down on both side hinges of each hood to lock open.
- D The hood is removed by firmly pressing down the hood release tabs.

7 TO FIT THE RAIN APRON

- A Place the apron over the hood.
- B Attach two eyelets (one each side) to the hood clips.
- C Attach two eyelets (one each side) to the front legs.

8 TO FIT THE SHOPPING BAGS

CAUTION: Overloading may cause a hazardous unstable condition to exist. Maximum load 4.4 lb (2 kg) evenly distributed.

The stroller may be folded with the bags still attached but **all contents must be removed**. Failure to do this could damage stroller and contents of shopping bag.

- A Place bags on the 'X' frame under seat with lowest edge of bag at front.
- B Attach front straps to front legs just below seats.
- C Attach rear straps to rear legs just above horizontal tie bars.

9 REMOVING AND REFITTING THE SEAT LINERS

The seat liners may be removed for washing.

The seat liners are reversible.

- A Unclip all shoulder and waist straps.
- B Twist crotch strap buckle and feed up through seat base and liner holes.
- C Detach Velcro retaining straps from seat rear and slide seat liner from seat base.
- D Feed waist straps and shoulder harness straps through holes in liner.
- E Reverse this procedure to refit the seat liner ensuring crotch strap buckle passes through seat liner hole and seat base hole.

10 REMOVING AND REFITTING THE SEAT COVERS

Remove rain apron, hood and seat liners from stroller if fitted.

- A Twist shoulder strap end buckles and feed through holes.
- B Feed waist and crotch straps through holes.
- C Unclip seat cover retaining straps.
- D Unfasten seat fabric from handle tubes and seat base.
- E Slide fabric from seat back and base.
- F Reverse this procedure to refit the seat cover and harnesses ensuring seat back support tubes are inserted into fabric fold.

11 TO FOLD THE STROLLER

Remove rain apron from stroller if fitted.

Ensure the seat back is in its fullest upright position and the hood (if fitted) is folded back.

Remove contents of shopping bag.

It is recommended that the harness is fastened before folding the stroller.

- A Ensure the seat backs are in the fullest upright position.
- B Fold back the hood (if fitted).
- C Using foot, lift up BOTH footplates to release primary locks.
- D Push down on secondary lock lever.
- E Grip handles and push forward.
- F Compress folded stroller and engage BOTH storage clips.

SP

Información General

⚠️ ADVERTENCIA: EVITE HERIDAS GRAVES DEBIDO A CAIDAS/DESLIZAMIENTOS. UTILICE SIEMPRE LAS CORREAS DE LOS ASIENTOS. NUNCA DEJE A LOS NIÑOS SIN VIGILANCIA. LA SEGURIDAD DE UN 2 NIÑO ES SU RESPONSABILIDAD. **IMPORTANTE: GUARDE ESTAS INSTRUCCIONES PARA CONSULTAS FUTURAS.**

- Siga todas las instrucciones atentamente. Un uso incorrecto dañará el cochecito para bebé.
- Este producto ha sido diseñado para dos niños de un peso máximo de 25 kg (55 lb) cada uno y de una altura máxima de 110 cm (44 pulg.)
- Atar siempre el arnés a los niños y no dejarlos nunca sin vigilancia.
- **IMPORTANTE — Es importante para la seguridad de su niño que el arnés sea instalado y ajustado correctamente. Si no ha sido ajustado correctamente de acuerdo con las instrucciones, afectará la estabilidad del stroller.**
- El arnés y el cinturón del asiento no constituyen un sustituto para la supervisión debida por un mayor.
- Los niños deberían estar alejados de las piezas móviles mientras se estén haciendo ajustes. **IMPORTANTE – PELIGRO: Es importante que se tenga mucho cuidado para asegurarse de que los niños se mantienen alejados del cochecito para bebé al plegar o desplegar el producto. Durante estas operaciones es posible cortarse y atraparse los dedos.**
- No lleve más de un niño, cosas ni accesorios encima ni dentro de esta sillita salvo si está permitido en este folleto. Estos pueden inestabilizar el cochecito o aplicar un peso excesivo en el cochecito que podría romperlo.
- **PRECAUCIÓN: La estabilidad de la sillita se ve afectada al colocar peso en las manillas.**
- La sobrecarga, el plegado incorrecto y el uso de accesorios, por ejemplo asientos para niños, ganchos para bolsas, cubiertas para la lluvia, tablas para cochecitos para bebé, etc., que no sean los autorizados por Maclaren pueden dañar o romper este vehículo.
- El uso de accesorios no suministrados ni aprobados por Maclaren asientos para niños, ganchos para bolsas, cubiertas para la lluvia, plataformas etcétera, podrían dañar o romper este vehículo.
- Nunca deje niño/s en el cochecito cuando sube o baja por escaleras normales o mecánicas, o cuando viaja en otras formas de transporte.
- El cochecito para bebé debería siempre abrirse y plegarse fácilmente. No lo fuerce. Puede ser necesario volver a leer las instrucciones.
- Vaya por las curvas y por las superficies irregulares con cuidado. Repetidos impactos dañarán el cochecito para bebé.
- Nunca permita que los niños estén de pie sobre el reposapiés.
- No deje el cochecito para bebé expuesto al calor, por ejemplo al lado de un radiador o a la luz directa del sol.
- No coloque artículos encima de la capota porque esto podría estropearla.
- **ADVERTENCIA: Esta sillita no es adecuada para correr ni patinar.**

MANTENIMIENTO Y REPARACIÓN

- Este vehículo precisa un mantenimiento rutinario por parte del usuario. Compruebe regularmente que todos los remaches y dispositivos de conexión estén bien apretados y seguros. Inspeccione todos los frenos, ruedas y neumáticos y cámbielos o repárelos si es necesario. Compruebe que todos los dispositivos de seguridad funcionen correctamente, en particular los bloqueos principal y secundario. Éstos deberían tener libertad de movimiento en todo momento. No seguir utilizando un producto que no sea estructuralmente sólido.
- Recomendamos una revisión cada 12 meses.
- Si las ruedas chirrían, lubríquelas con moderación con una capa de silicona o Teflon. NO utilice productos basados en aceite o grasa, dado que éstos atraerán la suciedad, que dificultará el movimiento.
- Solamente deberían utilizarse piezas de repuesto de Maclaren. Puede no ser seguro utilizar piezas no suministradas por Maclaren.

LIMPIEZA

- Limpie la estructura con un paño húmedo y un detergente suave y séquela bien. No use productos abrasivos.
- Si partes del stroller han sido expuestas a agua salada, recomendamos enjuagarlas con agua fresca de llave con la brevedad posible.
- Se puede limpiar la visera frotándola ligeramente con un paño húmedo y un detergente suave. Se puede lavar la cubierta del asiento - léase la etiqueta para detalles. Secarlos bien antes de usarlos.
- No pliegue ni almacene el producto mientras esté húmedo y no lo guarde nunca en un entorno húmedo dado que esto puede hacer que se forme moho.

Maclaren retiene el derecho de realizar cambios de diseño a cualquiera de sus productos como parte de su programa de mejoramiento continuo.

Este producto está diseñado y fabricado para cumplir con la Especificación de Rendimiento de Seguridad Estándar para el Consumidor ASTM F833 para Transportes / Cochecitos para Bebé. Este producto ha sido diseñado y fabricado para que conforme con la norma Canadiense SOR/91-350, s (F) Carritos y Strollers.

Instrucciones

¡IMPORTANTE!

- **LEA ESTAS INSTRUCCIONES CUIDADOSAMENTE ANTES DE USAR EL STROLLER Y RETÉNGALAS PARA PODER CONSULTARLAS EN EL FUTURO.**
- **LA SEGURIDAD DE SU NIÑO PODRÍA SER AFECTADA SI NO CONFORMA CON ESTAS INSTRUCCIONES.**
- **APLICAR AMBOS FRENOS CUANDO APARCA EL STROLLER**

1 PARA ABRIR EL COCHECITO PARA BEBÉ

- Suelte AMBOS clips de almacenamiento.
- Despliegue el cochecito para bebé.
- Utilizando el pie, empuje AMBAS plataformas de pie completamente hacia abajo para aplicar los bloqueos primarios

PRECAUCIÓN: Asegúrese de que todos los mecanismos de cierre están colocados antes de usar.

2 PARA ACCIONAR LOS FRENOS

- PARA PONER LOS FRENOS: Empuje con el pie AMBAS palancas al extremo derecho.
- PARA SOLTAR LOS FRENOS: Empuje AMBAS palancas al extremo izquierdo.

NOTA: Se deben poner AMBOS frenos.

ADVERTENCIA: El dispositivo de estacionamiento debe estar activado cuando se carga o descarga el niño.

ADVERTENCIA: Asegurar que el dispositivo de estacionamiento está activado si va a dejar desatendido al carrito.

3 PARA ACCIONAR LOS BLOQUEOS GIRATORIOS DE LAS RUEDAS DELANTERAS

- PARA PONER LOS BLOQUEOS GIRATORIOS: Alinear las ruedas delanteras y apriete las palancas de bloqueo hacia abajo.
- PARA QUITAR LOS BLOQUEOS GIRATORIOS: Levantar las palancas de bloqueo.

4 FUNCIONAMIENTO DEL ARNÉS DE ESPALDA / CORREA DEL ASIENTO



ADVERTENCIA: EVITA QUE PUEDAN PRODUCIRSE SERIOS DAÑOS POR CAÍDA O RESBALAMIENTO. UTILICE SIEMPRE LA CORREA DEL ASIENTO Y EL ARNÉS.

PARA INSTALAR EL ARNÉS:

- Extender las correas de hombro sobre los hombros del niño y conectarlas a los conectores de cintura pasando los lazos de la correa sobre los ganchos.
- Insertar ambos clips de cintura en el conector, fijando luego las correas de hombro una vez sujetados los clips.
- Ajustar las correas a la longitud correcta. El cinturón y el arnés deberán quedar bien ajustados.

PARA LIBERAR EL ARNÉS:

- Pulsar simultáneamente el botón delante y detrás del conector.

5 PARA AJUSTAR EL RESPALDO DEL ASIENTO

- PARA RECLINAR EL RESPALDO DEL ASIENTO: Busque la correa de ajuste colocada en la parte trasera del respaldo del asiento. Apriete los dos dientes de la hebilla y sepárela.
- PARA ELEVAR EL RESPALDO DEL ASIENTO: Desde la parte trasera de la sillita, eleve el respaldo a la posición vertical y ate la hebilla.
- Se puede ajustar más alargando o acortando la correa.
- Una vez que se ha ajustado, coloque la correa que sobra en su sitio atando el Velcro.

6 PARA PONER LA CAPUCHA

ATTENTION: toute surcharge peut susciter une instabilité dangereuse. Capacité maximale des poches de capote = 0,5 kg par poche

- Con el cochecito para bebé abierto, sujete la capucha a los tubos de los manillares justo encima de los remaches de retención.
- Colocar la cubierta trasera detrás de las espaldas los asientos
- Extienda las capuchas y presiónelas hacia abajo sobre las bisagras laterales de cada capucha para bloquearlas en posición abierta.

- La capucha se quita presionando firmemente hacia abajo sobre las lengüetas de liberación de la capucha.

7 PARA COLOCAR LA CUBIERTA DE PROTECCIÓN PARA LA LLUVIA

- Coloque la cubierta de protección por encima de la capucha.
- Acople los dos ojales (uno a cada lado) a los clips de la capucha.
- Acople los dos ojales (uno a cada lado) a las patas delanteras.

8 PARA COLOCAR LAS BOLSAS DE LA COMPRA

ADVERTENCIA: La sobrecarga puede provocar una condición inestable. Carga máxima, 4,4 libras (2,0 kg) distribuida de manera uniforme.

El cochecito para bebé se puede plegar con la bolsa colocada pero hay que sacar todo lo que contenga esta. No hacer esto podría dañar el cochecito y el contenido de la bolsa de la compra.

- Coloque las bolsas en la estructura en "X" debajo del asiento con el borde inferior de la bolsa en la parte delantera.
- Sujete las correas delanteras a las patas delanteras justo por debajo del asiento.
- Sujete las correas posteriores a las patas posteriores justo por encima de la barra de sujeción horizontal.

9 EXTRACCIÓN Y REINSTALACIÓN DE LAS CUBIERTAS DE LOS ASIENTOS

Las cubiertas del asiento se pueden quitar para lavarlas.

Las fundas del asiento son reversibles.

- Desconectar todas las correas de los hombros y de la cintura.
- Girar la hebilla del entrepiernas y pasarla por los agujeros de la base del asiento y de la cubierta.
- Quitar las correas de retención de Velcro del posterior del asiento, y sacar la cubierta de la base del asiento.
- Passar las correas de la cintura y de los hombros del arnés por los agujeros en la cubierta.
- Para reinstalar la cubierta del asiento y el arnés, invertir el orden de este proceso, asegurando que la hebilla del entrepiernas pasa por los agujeros de la cubierta y de la base del asiento.

10 EXTRACCIÓN Y REINSTALACIÓN DE LAS CUBIERTAS DE LOS ASIENTOS

Quitar la cubierta de protección contra la lluvia, la capucha y las cubiertas de asiento del stroller, si están instalados.

- Gire los broches de los extremos de las correas de los hombros y hágalas pasar a través de los agujeros.
- Haga pasar a través de los agujeros los cinturones y correas de entrepierna
- Suelte las correas de retención de cubierta del asiento
- Suelte el tejido del asiento de los manillares y de la base del asiento.
- Deslice el tejido de la espalda y de la base del asiento.
- Invertir este proceso para reinstalar la cubierta del asiento y los arneses, asegurando que los tubos de soporte del respaldo del asiento han sido insertados en el pliegue del tejido.

11 PARA PLEGAR EL COCHECITO PARA BEBÉ

Quite la cubierta de protección de la lluvia, si está instalada.

Asegúrese de que el respaldo esté totalmente vertical y de que la capota (si está montada) esté doblada hacia atrás.

Sacar el contenido de la bolsa de la compra.

Se recomienda conectar el arnés antes de plegar el cochecito.

- Asegúrese de que el respaldo del asiento se encuentre en su posición completamente vertical.
- Plegar para atrás la capucha (si está instalada).
- Usando el pie, levante AMBOS reposapiés para liberar los bloqueos primarios.
- Empuje hacia abajo sobre la palanca de bloqueo secundario.
- Agarre los manillares y empújelos hacia delante.

Informations Générales

**AVERTISSEMENT: UTILISER LE HARNAIS DE SÉCURITÉ POUR ÉVITER QUE L'ENFANT CHÛTE OU GLISSE ET QU'IL SE BLESSE GRAVEMENT. NE JAMAIS LAISSER L'ENFANT SANS SURVEILLANCE. IMPORTANT: CONSERVER CETTE NOTICE POUR CONSULTATION FUTURE. LA SÉCURITÉ DE VOTRE 2 ENFANT EST ENTRE VOS MAINS.**

- Suivre attentivement les directives; l'emploi impropre endommagera la poussette.
- Ce produit a été conçu pour deux enfants pesant jusqu'à 25 kg chacun et mesurant jusqu'à 110 cm.
- Les enfants doivent toujours être attachés à l'aide du harnais et ne doivent jamais être laissés sans surveillance.
- **IMPORTANT – Pour la sécurité de votre enfant, il est important que le harnais soit correctement attaché et réglé. S'il n'est pas réglé correctement conformément aux instructions données, la stabilité de la poussette s'en trouvera gênée.**
- Le harnais et la ceinture de sécurité ne peuvent remplacer la surveillance d'un adulte.
- Les enfants doivent être tenus éloignés d'éléments mobiles pendant l'ajustement. **IMPORTANT – DANGER : il faut redoubler de prudence au moment de plier et de déplier la poussette pour éviter que les enfants se blessent. Ne pas les laisser s'approcher de la poussette, car ils pourraient se coincer les doigts et se pincer.**
- Ne pas transporter un enfant, des articles ou accessoires supplémentaires dans ou sur la poussette, sauf ce qui est autorisé dans cette notice. Cela pourrait déstabiliser la poussette ou exercer une pression excessive et occasionner un bris.
- **ATTENTION: Le fait d'accrocher une charge quelconque aux poignées peut affecter la stabilité de la poussette.**
Le fait de surcharger, de mal plier et d'utiliser des accessoires autres que ceux approuvés par Maclaren, comme par exemple un siège d'enfant, un crochet à sacs, un habillage pluie, une tablette, etc., pourrait endommager ou abîmer ce véhicule.
- Il peut être dangereux d'utiliser des accessoires qui ne sont pas fournis et approuvés par Maclaren, tels que les sièges pour enfant, les crochets pour sacs, les housses imperméables et les pièces de fixation de la planche à roulettes, etc., et dans de telles circonstances, les conditions de la garantie ne seront pas en vigueur
- Ne jamais laisser les enfants dans la poussette quand vous montez ou descendez un escalier ou un escalier mécanique, ou quand vous empruntez d'autres formes de transport.
- La poussette devrait toujours s'ouvrir et se plier facilement. Ne pas forcer; lire de nouveau la notice au besoin.
- Manœuvrer les courbes et les terrains accidentés avec prudence. Les chocs répétés endommageront la poussette.
- Ne jamais laisser d'enfants debout sur le repose-pieds.
- Ne pas laisser la poussette exposée à la chaleur, c'est-à-dire près d'un radiateur ou à la lumière directe du soleil.
- Ne pas poser d'objets sur le dessus de la capote, car cela pourrait l'endommager.
- **AVERTISSEMENT : Cette poussette ne doit pas être utilisée pour courir ou faire du patin à roulettes.**

ENTRETIEN ET RÉPARATIONS

- Ce véhicule nécessite un entretien régulier de la part de l'utilisateur. Vérifier régulièrement que tous les rivets et les dispositifs de liaison sont bien ajustés et solides. Inspecter les freins, les roues et les pneus, et les remplacer ou les réparer le cas échéant. Vérifier que tous les dispositifs de sécurité fonctionnent correctement, en particulier les premier et second verrous. Ceux-ci devraient toujours pouvoir bouger. Ne jamais continuer à utiliser un produit qui n'est pas de construction solide.
- Nous recommandons une révision tous les 12 mois.
- Si les roues grincent, les graisser avec modération à l'aide d'un produit à base de silicone ou de Téflon. Ne PAS utiliser de produits à base d'huile ou de graisses, car cela encrasserait les éléments et entraverait le mouvement.
- Seules les pièces de rechange Maclaren doivent être utilisées. Il serait imprudent d'utiliser des pièces non fournies par Maclaren.

NETTOYAGE

- Nettoyer le châssis à l'aide d'un chiffon humide et d'un détergent doux, puis faire sécher complètement. Ne pas utiliser d'abrasifs.
- Si les pièces du châssis de la poussette ont été en contact avec de l'eau de mer, il est conseillé de les rincer dès que possible à l'eau douce.
- La capote peut être essuyée légèrement à l'aide d'un chiffon humide et d'un détergent doux. Les housses de sièges peuvent être lavées; voir l'étiquette d'entretien pour plus amples renseignements. Sécher complètement avant de réutiliser.
- Ne pas plier ou ranger le produit lorsqu'il est mouillé et ne jamais ranger dans un milieu humide, car de la moisissure pourrait se former.

Maclaren se réserve le droit d'effectuer des modifications au design et ce, pour tous les produits, dans le cadre de son programme de développement continu.

Ce produit est conçu et fabriqué en conformité avec le règlement F833 de l'ASTM portant sur les caractéristiques techniques standards des landaus et des poussettes; il est homologué par la JPMA. Ce produit est conçu et fabriqué en conformité avec la norme Canadienne SOR/91-350.s.1(F) concernant le

Notice d'emploi

IMPORTANT:

- **LIRE ATTENTIVEMENT LA NOTICE D'EMPLOI AVANT USAGE ET LA CONSERVER POUR CONSULTATION FUTURE.**
- **SI VOUS NE SUIVEZ PAS CES CONSIGNES, LA SÉCURITÉ DE VOTRE ENFANT PEUT ÊTRE COMPROMISE.**
- **ACTIONNEZ LES DEUX FREINS POUR IMMOBILISER LA POUSSETTE**

1 OUVERTURE DE LA POUSSETTE

- Dégagez LES DEUX barrettes de blocage.
- Ouvrez la poussette.
- Avec le pied, poussez LES DEUX plaques fond vers le bas, pour enclencher à fond les dispositifs de verrouillage primaire.

ATTENTION: Veillez à ce que tous les dispositifs de verrouillage soient bien enclenchés avant l'utilisation.

2 UTILISATION DES FREINS

- POUR ACTIONNER LES FREINS : avec le pied, pousser les DEUX leviers de freins à fond vers la droite.
- POUR DÉBLOQUER LES FREINS : pousser les DEUX leviers de freins à fond vers la gauche.

REMARQUE: les DEUX freins doivent être utilisés.

AVERTISSEMENT: pour installer l'enfant dans la poussette ou le retirer de celle-ci, il est nécessaire d'actionner le dispositif de stationnement.

AVERTISSEMENT: avant de laisser la poussette sans surveillance, vérifier que le dispositif de stationnement est engagé

3 UTILISATION DES DISPOSITIFS DE BLOCAGE DU PIVOTEMENT DES ROUES AVANT

- POUR BLOQUER LES ROUES PIVOTANTES : Alignez les roues avant et appuyez sur les leviers de verrouillage.
- POUR DÉBLOQUER LES ROUES PIVOTANTES: Redressez les leviers de blocage.

4 UTILISATION DE LA CEINTURE DE SÉCURITÉ / DU HARNAIS



AVERTISSEMENT: ÉVITER QUE L'ENFANT SE BLESSE EN TOMBANT OU EN GLISSANT DE LA POUSSETTE. TOUJOURS UTILISER LA CEINTURE DE SÉCURITÉ.

POUR ENDOSSER LE HARNAIS :

- Tirer les sangles d'épaule sur les épaules de l'enfant, pour les attacher ensuite aux fermetures à la ceinture, en glissant les boucles des sangles sur les crochets.
- Insérer les deux pinces à la ceinture dans le fermoir ; les sangles d'épaule sont fixées correctement lors de la fermeture des pinces.
- Ajuster la longueur des sangles de sorte que la ceinture et le harnais soient confortables.

POUR ENLEVER LE HARNAIS :

- Pour ouvrir le harnais, appuyer simultanément sur les boutons à l'avant et à l'arrière.

5 RÉGLAGE DU SIÈGE

- POUR INCLINER LE SIÈGE : repérer la courroie de réglage à l'arrière du dossier de siège. Appuyer sur chaque côté de la boucle et tirer pour dégager.
- POUR RELEVER LE SIÈGE : pousser derrière le siège de la poussette jusqu'à la position verticale et bien introduire l'attache dans la boucle.
- Il est possible d'ajuster à des positions intermédiaires en raccourcissant ou rallongeant la courroie.
- Une fois le réglage terminé, fixez l'extrémité de la courroie qui est libre en l'attachant à la bande Velcro.

6 MISE EN PLACE DE LA CAPOTE

ATTENTION: toute surcharge peut susciter une instabilité dangereuse. Capacité maximale des poches de capote = 0,5 kg par poche

- La poussette étant ouverte, enclenchez les pinces de capote sur les tubes de poignées, juste au-dessus des rivets de retenue.

- Placer le tablier arrière derrière le dossier du siège et fixer les boutons pression.
- Mettez les capotes en extension et appuyez sur les charnières latérales de chaque capote pour verrouiller en position ouverte.
- Pour enlever la capote, appuyez fermement sur les languettes de déblocage des pinces.

7 INSTALLATION DE L'HABILAGE IMPERMEABLE

- Placez l'habilage par-dessus la capote
- Attachez deux œillets (de chaque côté) aux pinces de capote
- Fixez les deux œillets (un de chaque côté) aux pieds avant.

8 INSTALLATION DES SACS À PROVISIONS

Attention: Un excès de chargement peut être cause de basculement. Le poids maximal à respecter est de 2 kg uniformément répartis. **La poussette peut être pliée avec le panier sous condition que celui-ci soit vide.**

Si l'on néglige de le faire, la poussette et le contenu du sac risquent d'être endommagés.

- Placez les sacs sur le cadre en «X» sous le siège, le bord inférieur des sacs sur le devant.
- Attachez les sangles avant aux pieds avant, juste sous les sièges.
- Attachez les sangles arrières aux pieds arrières, juste au-dessus des barres de fixation horizontales.

9 COMMENT ENLEVER ET REPLACER LA HOUSSE MATELASSÉE DU SIÈGE

La housse matelassée s'enlève pour le lavage.

Les housses de siège sont réversibles.

- Détachez tous les harnais et toutes les ceintures de sécurité.
- Tournez la boucle du harnais d'entrejambe et passez-la dans les trous de la base du siège et de la housse.
- Détachez les harnais de fixation Velcro de l'arrière du siège et faites glisser la housse de la base du siège.
- Passez les harnais et les ceintures dans les trous de la housse.
- Appliquez cette méthode en sens inverse pour replacer la housse, en ayant soin de passer la boucle du harnais d'entrejambe dans les trous de la base du siège et de la housse.

10 SUPPRESSION ET REMISE EN PLACE DES HOUSSES DE SIÈGES

Enlever l'habilage plié, la capote et la housse matelassée de la poussette le cas échéant.

- Déformez les bretelles et leurs boucles et faites-les passer par les orifices.
- Faites passer les sangles de poitrine et d'entrejambe par les orifices.
- Détachez les sangles de retenue de la garniture de siège.
- Détachez l'étoffe du siège des tubes de cannes et de l'assise du siège.
- Faites glisser l'étoffe du dossier et de l'assise du siège.
- Inversez cette procédure pour remettre en place la housse de siège et les harnais, en prenant soin que les tubes de soutien de dossier soient insérés dans le repli d'étoffe.

11 PLIAGE DE LA POUSSETTE

Assurez-vous que le dossier est en position verticale et que la capote (si elle est fixée) est repliée en arrière. Videz le sac à provisions.

Il est recommandé d'attacher le harnais avant de plier la poussette..

- Assurez-vous que les dossiers des sièges sont redressés au maximum.
- Repliez la capote si elle est installée.
- Avec le pied, soulevez LES DEUX plaques pour débloquent les dispositifs de verrouillage primaires.
- Abaissez le levier de verrouillage secondaire.
- Saisissez les poignées et poussez-les vers l'avant.
- Appuyez sur la poussette repliée et enclenchez LES DEUX barrettes de blocage, situées de chaque côté de la poussette.

Garantía de 1 año Maclaren

Nuestra garantía de 1 año estándar automáticamente cubre su cochecito Maclaren Buggy.

Beneficios

Nuestros centros de servicio autorizado honran la garantía de 1 año cuando usted presenta el recibo que prueba su compra de un vendedor autorizado. Por favor retenga en su archivo este recibo que prueba su compra.

Usted debe presentar el recibo para obtener el servicio incluido en nuestra garantía de 1 año. Si usted recibió de regalo el cochecito, y no posee el recibo, usted debe registrar el cochecito en línea a maclarenbaby.com para obtener la garantía de toda la vida Maclaren^{MR} Sovereign Lifetime WarrantyTM.

Como activar la garantía de 1 año

Usted recibe automáticamente la garantía de 1 año sin tener que activarla.

Incluido en la garantía de 1 año

La garantía de 1 año cubre cualquier defecto de fabricación, materias y ejecución del cochecito operado en condiciones normales y de acuerdo con las instrucciones de operación, durante los 12 meses después de la compra, o durante el período mandado por regulaciones locales.

No incluido en la garantía de 1 año

- Daño que resulta de desgaste normal, accidente, o negligencia. No incluye, por ejemplo, ruedas ni tejidos desgastados en curso de uso regular, o la descomposición natural de colores y materias después del tiempo y uso extenso. Por favor vea este folleto de instrucciones para el mantenimiento de su cochecito.
- Cochecitos comprados de un vendedor no autorizado.
- Reparaciones por un tercero no autorizado. Si necesita una reparación, por favor refiera a un agente de servicio autorizado en la lista maclarenbaby.com.

Maclaren se reserva el derecho de determinar si está en conformidad con los términos y las condiciones de la garantía de 1 año.

Donde se aplica

La garantía de 1 año se aplica solamente en el país de compra.

Nota: Esta garantía es adicional y no afecta los derechos legales del comprador.

Ascenso gratis a la garantía de toda la vida Maclaren: vea el informe al lado.

Para detalles adicionales vea www.maclarenbaby.com/warranty.

Gracias por haber elegido Maclaren.

¡Disfrute de su cochecito Maclaren Buggy!

Vea maclarenbaby.com para información de la garantía en su propio idioma y para registrar un cochecito para la garantía de toda la vida Maclaren^{MR}.

Maclaren Sovereign Lifetime WarrantyTM

Garantía de toda la vida Maclaren^{MR}

Para recibir gratis nuestra garantía de toda la vida, registre dentro del período limitado de 45 días.

Es la mejor garantía de cochecito dondequiera:

Beneficios

- Garantía mundial: en todas partes nuestros centros de servicio autorizado honran nuestra garantía de toda la vida.
- Aviso previo de productos nuevos: reciba las noticias antes de la advertencia al público general.
- Avisos de emergencia: le avisaremos inmediatamente de cualquiera alerta de seguridad.

La garantía de toda la vida Maclaren^{MR} refleja nuestra confianza, que queremos comunicarle a usted, nuestro cliente, en la calidad insuperado de la diseñada Maclaren, nuestra ingeniería, producción, y control de la calidad.

Como activar la garantía de toda la vida

Todos los cochecitos Maclaren 2008 Collection Buggy pueden ser registrados para la garantía de toda la vida. Hay que registrarlos en línea a maclarenbaby.com dentro de 45 días de su compra, o dentro de 45 días del recibo de un cochecito regalado, para beneficiar de la garantía de toda la vida.

Si no elije activar la garantía de toda la vida

Si usted no elije registrar su cochecito para la garantía de toda la vida, automáticamente sigue protegido por la garantía de 1 año, o por cualquiera garantía mandada por regulaciones locales.

Incluido en la garantía de toda la vida

Se incluye en la garantía de toda la vida cualquier defecto de fabricación, materias y ejecución de los cochecitos operados en condiciones normales y de acuerdo con las instrucciones de operación.

No incluido en la garantía de toda la vida

- Daño que resulte de desgaste normal, accidente, o negligencia. No incluye, por ejemplo, ruedas ni tejidos desgastados en curso de uso regular, o la descomposición natural de colores y materias después del tiempo y uso extenso. Por favor vea este folleto de instrucciones para el mantenimiento de su cochecito.
- Cochecitos comprados de un vendedor no autorizado.
- Reparaciones por un tercero no autorizado. Si necesita una reparación, por favor refiera a un agente de servicio autorizado en la lista maclarenbaby.com.

Maclaren se reserva el derecho de determinar si está en conformidad con los términos y las condiciones de la garantía de 1 año.

Quien puede registrar

El comprador original, o cuando se trata de un cochecito regalado, el recipiente, puede registrarlo en línea para la garantía de toda la vida, en su propio nombre.

Donde se aplica

La garantía de toda la vida se reconoce por todo el mundo donde hay centro de servicio autorizado Maclaren. Dentro y fuera del país usted puede hallar la lista local de estos centros en el sitio web local Maclaren. Vea maclarenbaby.com página de inicio para hallar la conexión al sitio web en cada país.

Definición de «toda la vida»/«Lifetime»

«Toda la vida» es el período de uso por el registrado para sus hijos. No incluye el uso de un cochecito heredado o de segunda mano.

Nota: Esta garantía es adicional y no afecta los derechos legales del comprador. Para detalles adicionales vea www.maclarenbaby.com/warranty.

Garantie Classique Maclaren

Votre poussette Maclaren est automatiquement couverte par la Garantie Classique d'une durée d'un an.

Avantages

- La Garantie Classique est assurée par notre centre SAV, sur présentation d'une preuve d'achat. Elle vous sera demandée pour bénéficier des services offerts par la Garantie Classique.

Comment l'activer?

- La Garantie Classique est automatique, vous n'avez pas besoin de l'activer pour en bénéficier.
- Si votre poussette vous a été offerte, et que vous ne disposez pas de la preuve d'achat vous devrez vous enregistrer sur notre site Internet et ainsi bénéficier d'une extension de garantie.

Que couvre-t-elle?

La Garantie Classique couvre les défauts de fabrication, pour les poussettes utilisées dans des conditions normales et conformes aux instructions d'usage, pour une durée de 12 mois suivant l'achat.

Qu'est ce qu'elle ne couvre pas?

- Les dommages liés à l'usure normale et naturelle, ou consécutifs à un accident ou à une négligence. Par exemple l'usure normale des roues ou du tissu n'est pas couverte par notre Garantie. Veuillez consulter les instructions d'usage pour obtenir des conseils sur l'entretien de votre poussette.
- Les poussettes achetées chez un revendeur non agréé.
- Les réparations réalisées par une tierce partie non autorisée. Si une réparation est nécessaire, veuillez contacter votre revendeur (liste sur maclarenbaby.com)

Maclaren se réserve le droit de déterminer si les conditions de la garantie ont été respectées.

Où s'applique-t-elle?

La Garantie Classique est valable uniquement dans le pays où la poussette a été achetée.

Vous pouvez transformer votre Garantie Classique en Sovereign Lifetime Warranty™ *, voir ci-contre.

Note: Cette Garantie est offerte en complément et n'affecte aucun des droits octroyés par la loi applicable dans votre pays.

Pour obtenir de plus amples informations concernant l'enregistrement et les conditions, veuillez consulter la Foire Aux Questions sur notre site Internet, www.maclarenbaby.com/warranty/faqs.

Merci d'avoir choisi Maclaren. Profitez bien de votre poussette Maclaren!

*Garantie à vie

Garantie à vie Maclaren Sovereign Lifetime Warranty™

Enregistrez-vous dans les 45 jours suivant votre achat, pour bénéficier de notre Sovereign Lifetime Warranty™ *

Avantages

- Couverture globale: La *Sovereign Lifetime Warranty™* est assurée dans tous nos centres SAV agréés où que vous vous trouviez dans le monde.
- Informations sur les nouveaux produits : recevez les informations sur nos nouveaux produits en avant-première
- Avis en cas d'urgence: vous serez contacté en cas d'urgence

La *Sovereign Lifetime Warranty™* garantie à vie de Maclaren reflète la confiance que nous avons dans la qualité de nos produits, de la conception à la fabrication en passant par la conformité aux normes en vigueur.

Comment l'activer?

Toutes les poussettes de la collection 2008 achetées chez un détaillant agréé peuvent être enregistrées pour bénéficier de la garantie à vie. Elles doivent être enregistrées sur notre site Internet maclarenbaby.com au cours des 45 jours suivant l'achat, ou dans les 45 jours suivant la date à laquelle la poussette a été offerte s'il s'agit d'un cadeau.

Si vous choisissez de ne pas l'activer

Si vous décidez de ne pas enregistrer votre poussette pour la garantie à vie, celle-ci sera automatiquement couverte par notre Garantie Classique.

Que couvre-t-elle?

La *Sovereign Lifetime Warranty™* couvre les défauts de fabrication, pour les poussettes utilisées dans des conditions normales et conformes aux instructions d'usage.

Qu'est ce qu'elle ne couvre pas?

- Les dommages liés à l'usure normale et naturelle, ou consécutifs à un accident ou à une négligence. Par exemple l'usure normale des roues ou du tissu n'est pas couverte par notre Garantie à vie. Veuillez consulter les instructions d'usage pour obtenir des conseils sur l'entretien de votre poussette.
- Les poussettes achetées chez un revendeur non agréé.
- Les réparations exécutées par une tierce partie non autorisée. Si une réparation est nécessaire, veuillez consulter la liste des revendeurs et des centres SAV agréés sur maclarenbaby.com
- Les frais d'envoi aller/retour au Centre SAV.

Maclaren se réserve le droit de déterminer si les conditions de la garantie ont été respectées.

Qui peut s'enregistrer?

La personne qui a acheté la poussette, ou dans le cas d'un cadeau, la personne qui le reçoit, peut s'enregistrer en son nom pour bénéficier de la garantie à vie.

Où s'applique-t-elle?

La *Sovereign Lifetime Warranty™* est valable dans les Centres SAV agréés du monde entier. Que vous soyez chez vous ou à l'étranger, vous trouverez la liste des Centres SAV agréés en visitant les sites Maclaren locaux, à partir de page d'accueil de maclarenbaby.com

Que signifie "lifetime"?

"Lifetime" définit la période pendant laquelle l'acheteur utilisera la poussette pour ses enfants. La *Sovereign Lifetime Warranty™* n'est donc pas transmissible si vous donnez ou prêtez votre poussette à une tierce personne.

Note: La *Sovereign Lifetime Warranty™* est offerte en complément et n'affecte aucun des droits octroyés par la loi applicable dans votre pays.