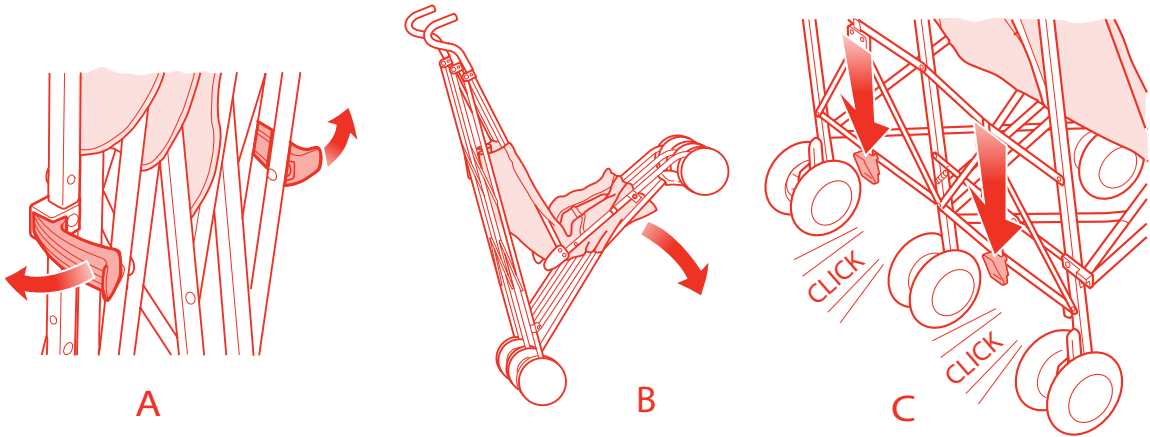




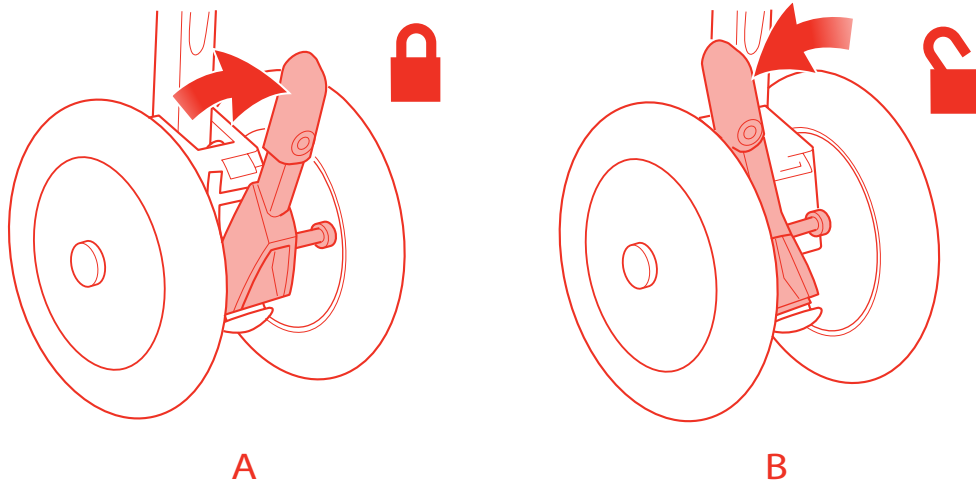
MACLAREN

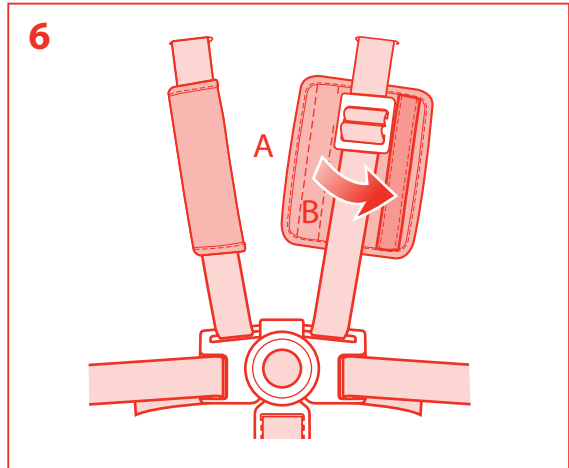
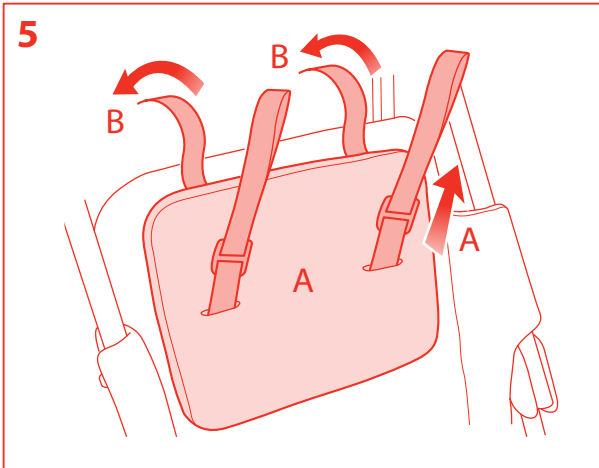
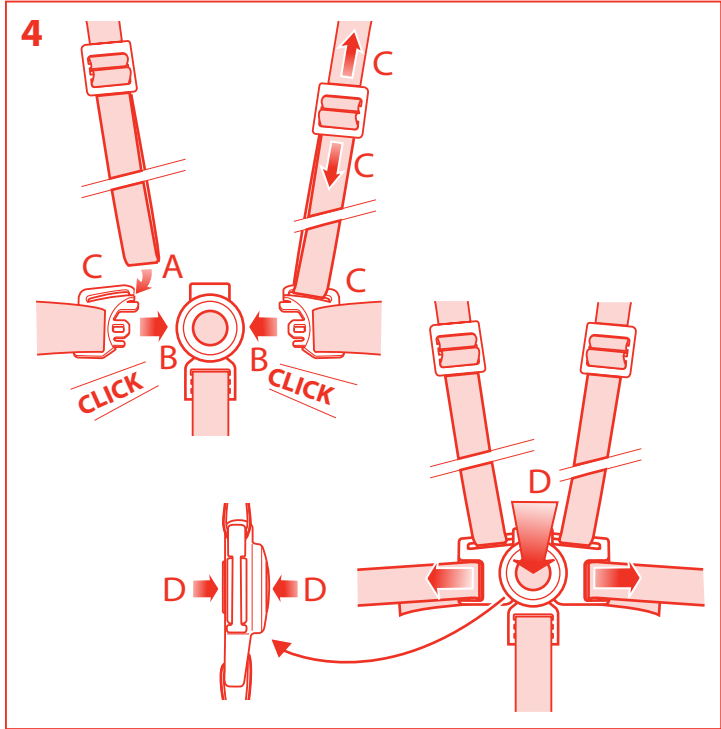
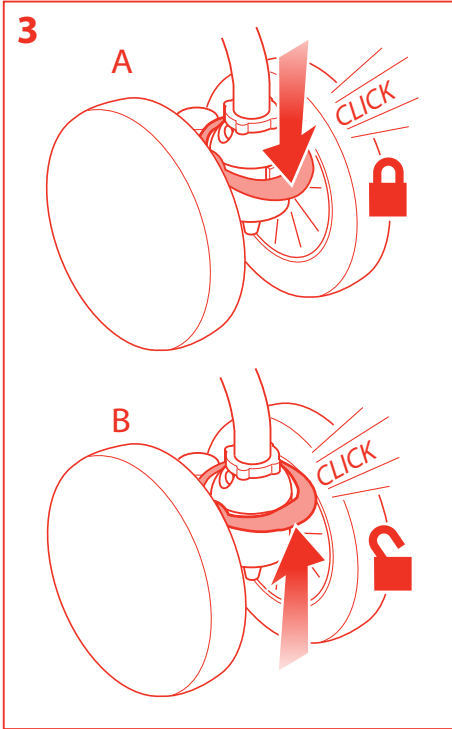
twin techno

1

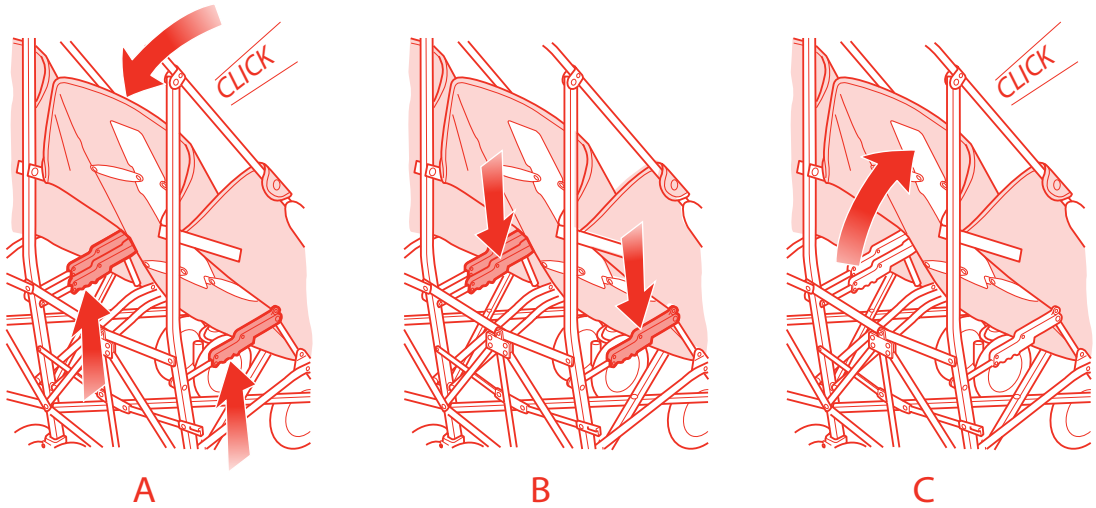


2

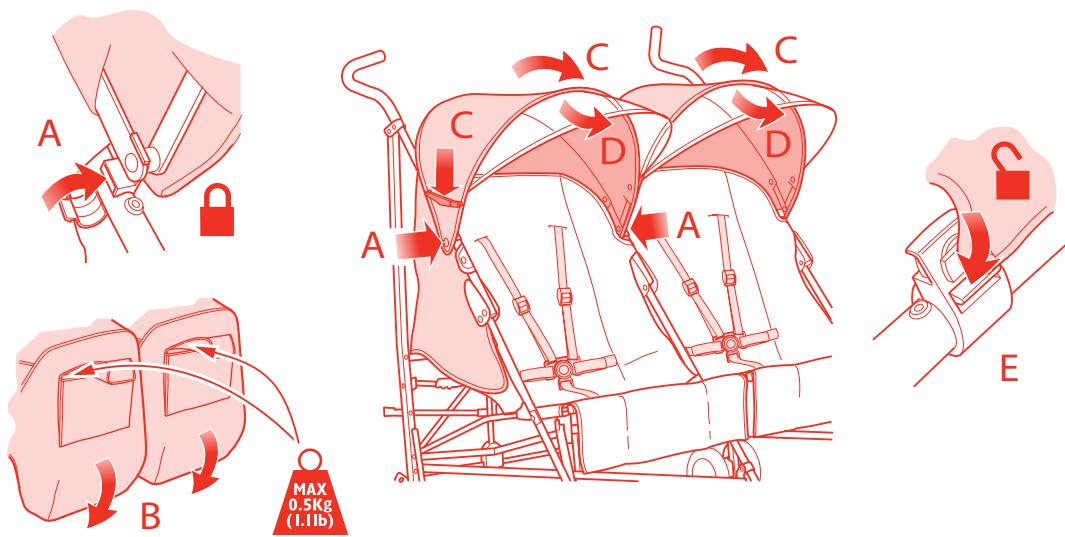


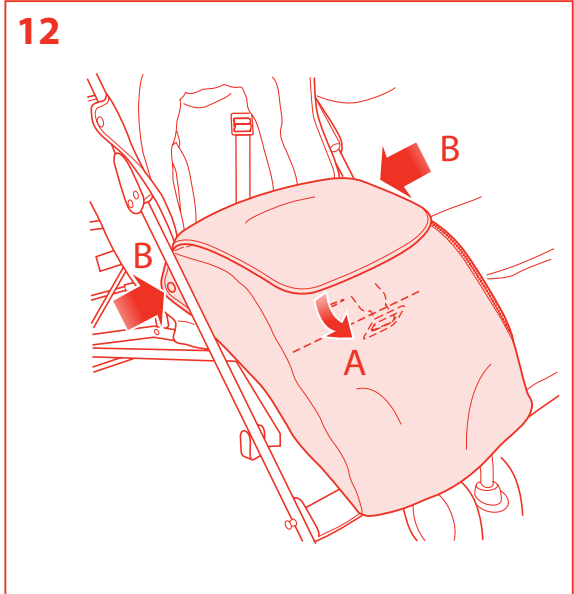
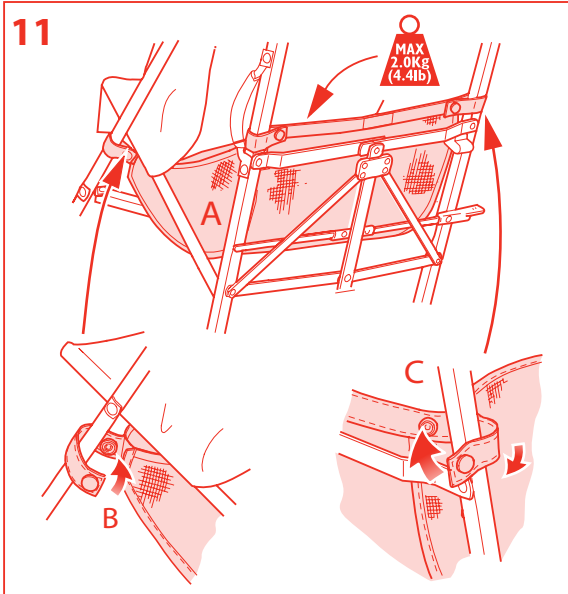
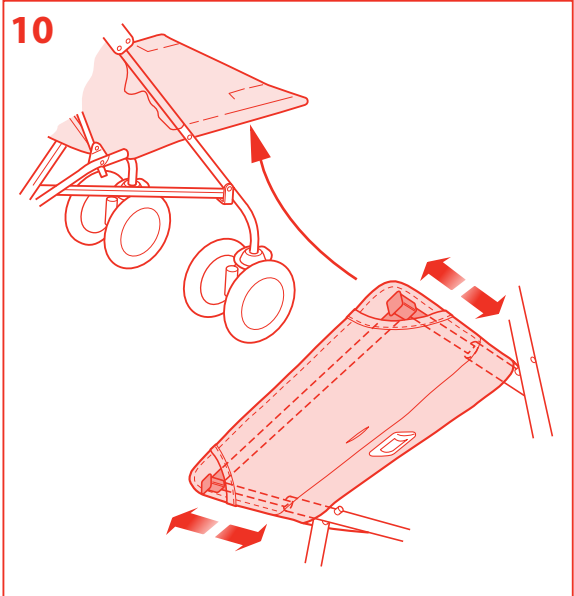
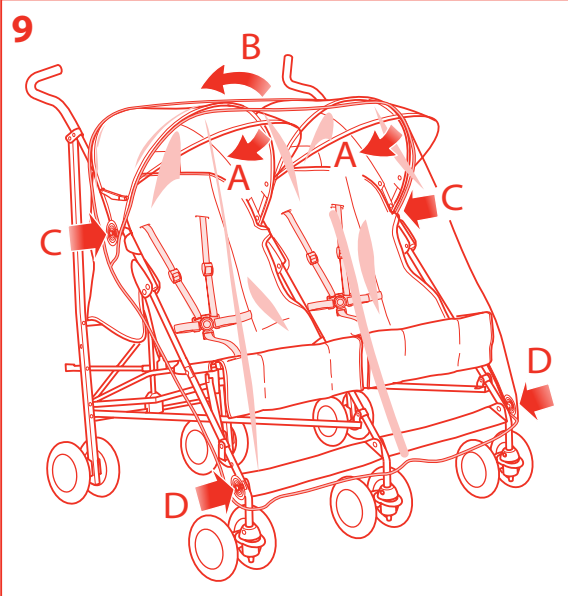


7

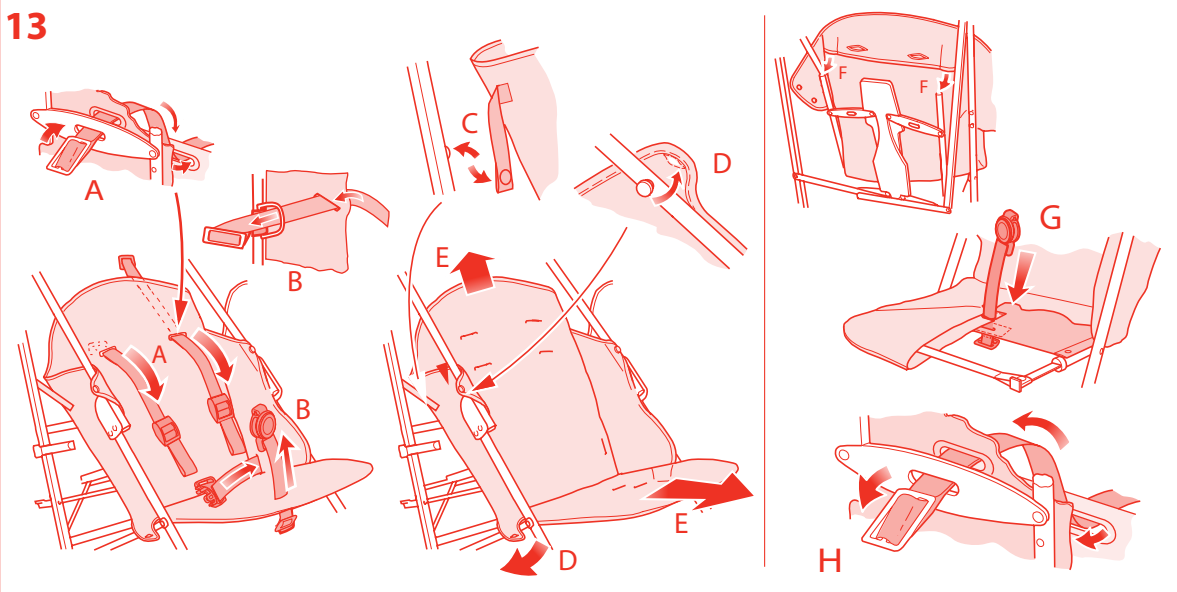


8

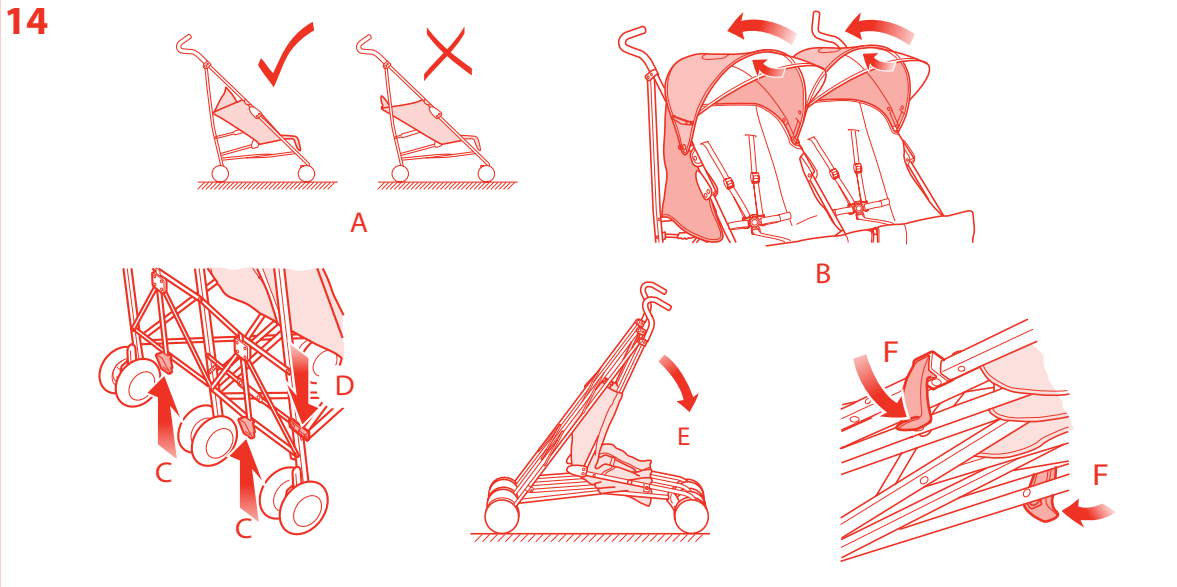




13



14



Limited Warranty

Why you've chosen a **Maclaren** stroller

In 1965, Owen Maclaren, a former test pilot and aeronautical engineer, invented the first ever *baby buggy* (also known as stroller). Since having invented the revolutionary umbrella fold buggy, **Maclaren** have evolved into a company that values its heritage, leads in innovation and strives to produce the highest quality.

All **Maclaren** strollers have the following features: lightweight aluminium chassis, compact umbrella fold, lockable swivel wheels, removable seats for easy cleaning and removable shopping basket.

Warranty

Your **Maclaren** carriage, stroller, or buggy is warranted to be free from manufacturing defects for a period of one year from the date of purchase under normal use and in compliance with the operating instructions. This warranty extends only to the original retail purchaser and is only valid when supplied with proof of purchase, or if received as a gift, when the registration card is on file with **Maclaren USA Inc.**

Maclaren will either repair, or at our option replace, free of charge, any parts necessary to correct defects in material or workmanship during the warranty period. The above warranty is complete and exclusive. The warranty expressly disclaims liability for incidental, special and consequential damages of any nature. (Some states do not allow the exclusion or limitation of incidental or consequential damages, so the above may not apply to you.)

Any implied warranty arising by operation of law shall be limited in operation to the term of this warranty. (Some states do not allow limitations on how long an implied warranty lasts, so the above limitations may not apply to you.)

This warranty gives you specific legal rights, and you may have other rights which vary from state to state.

For warranty service

Should repair be needed during the warranty period and under the conditions of the limited warranty, contact the retailer you purchased the product from. If your retailer cannot perform the warranty repair, please contact **Maclaren** direct at 1-877-442-4622.

If you need to return your stroller for service or repair, return the unit freight prepaid in the original or other similar protective packaging. If you do not have the original box one can be secured from a local baby specialty store, mass merchant, sporting goods store, moving company or UPS. For the fastest and most economical shipping we suggest shipping UPS.

When sending in the stroller for repair, include a note with a daytime telephone number, receipt for proof of purchase, return address, and specifically describe what is wrong with the product. Please describe the problem as you are standing behind the stroller.

maclarenbaby.com



IMPORTANT – WARRANTY WILL BE VOID IF INFORMATION DEFACED OR REMOVED FROM BUGGY, CARTON OR THIS INSTRUCTION LEAFLET

PLEASE HELP US SUPPORT THE ENVIRONMENT BY RECYCLING

Maclaren encourages consumers to recycle their old Maclaren Buggys. Maclaren Buggys can be dropped off, or shipped at owner's expense, to any of Maclaren's four recycling locations below.



Maclaren Europe Ltd
Station Works, Long Buckby,
Northamptonshire NN6 7PF UK
T +44 (0) 1327 841320
F +44 (0) 1327 841395
info@maclaren.co.uk

Maclaren USA Inc
Outlet and Service Centre
25 Van Zant Street 13A
Norwalk, CT 06855 USA
T 1 877 442 4622
F 1 877 504 8813
info@maclarenbaby.com

Maclaren USA Inc
Authorised Repair Centre
150 Wooster Street,
New York, NY 10012 USA
T 1 212 677 2700
F 1 212 677 6767
info@maclarenbaby.com

Maclaren France SAS
Paris Nord 2, 209, Rue de la Belle
Etoile, BP 55410 Roissy en France,
95944 Ch de Gaulle Cedex
T +33 (0) 1 48 63 88 81
F +33 (0) 1 48 63 88 35
info@maclarenbaby.com

The words **MACLAREN** and **TECHNO**
and associated logos are trade marks.
© Maclaren 2007. All rights reserved.

MS07452/4 TT.09.07.USA

Contents

2 EN Attendant user guide

Please read this User Guide fully prior to use ensuring reference is made to the numbered diagrams on the final pages.

Retain this User Guide for future reference

4 ES Guía del Usuario

Por favor lea detenidamente esta Guía del Usuario antes de usar el producto, refiriéndose a los dibujos con números en las páginas finales.

Por favor, retenga esta Guía del Usuario para consultarla en el futuro.

6 FR Notice du fabricant

Avant l'utilisation, lire attentivement cette notice en ayant soin d'examiner les schémas numérotés des dernières pages.

Conserver cette notice pour consultation future.

9 Operation Illustrations

14 Warranty Information

EN

General Information & Safety

⚠ WARNING: AVOID SERIOUS INJURY FROM FALLING OR SLIDING OUT. ALWAYS USE THE SEAT HARNESS. NEVER LEAVE CHILD UNATTENDED. IMPORTANT: KEEP THESE INSTRUCTIONS FOR FUTURE REFERENCE. A CHILD'S SAFETY IS YOUR RESPONSIBILITY. THIS VEHICLE IS SUITABLE FOR TWO CHILDREN.

- Follow all instructions carefully. Incorrect use will cause damage to stroller.
- This product has been designed to take the weight of two children each of 25kg (55lbs) maximum and a maximum height of 110cm (44").
- Children should be harnessed in at all times and should never be left unattended.
- **IMPORTANT - It is important for your child's safety that the harness be correctly fitted and adjusted. If not adjusted correctly in accordance with the instructions the stability of the stroller will be impaired.**
- The harness and seat belt are not a substitute for proper adult supervision.
- Children should be clear of moving parts while making adjustments.
IMPORTANT - DANGER: It is important that great care is taken to ensure that children are kept well clear of the stroller when folding or unfolding the product. Finger traps and scissoring actions are unavoidable during these operations.
- Do not carry additional children, goods or accessories in or on this stroller except as permitted in this leaflet. They may cause the stroller to become unstable or place undue stress on the stroller that could lead to breakage.
- **WARNING: Any load attached to the handle affects the stability of the pushchair.**
- Overloading, incorrect folding and the use of accessories, e.g. child seats, bag hooks, rain covers, buggy boards, etc., other than those approved by Maclaren may damage or break this vehicle.
- It may be unsafe to use accessories not supplied and approved by Maclaren, items such as child seats, bag hooks, rain covers, buggy boards etc will not be covered by the terms of our warranty.
- Never leave children in the stroller when ascending or descending stairs or escalators or when travelling on other forms of transport.
- The stroller should always open and fold easily. Do not force it. It may be necessary to re-read the instructions.
- Negotiate curbs and rough ground carefully. Repeated impact will cause damage to the stroller.
- Never allow children to stand on the footrest.
- Do not leave the stroller exposed to heat, i.e. by a radiator or in direct sunlight.
- Do not place items on the top of the hood as it may cause damage to the hood.
- **WARNING: This Stroller is not suitable for running or skating.**

MAINTENANCE AND REPAIR

- This vehicle requires regular maintenance by the user. Regularly check all rivets and connecting devices for tightness and security. Inspect all brakes, wheels and tires and replace or repair if necessary. Check all safety devices for correct operation, in particular the primary and secondary locks. These should be free to move at all times. Never continue to use a product that is not structurally sound.
- We recommend a service every 12 months.
- If wheels squeak, lubricate sparingly with Teflon or silicone coating. Do NOT use oil or grease based products, as this will attract dirt, which will clog the movement.
- Only Maclaren replacement parts should be used. It may be unsafe to use parts not supplied by Maclaren.

CLEANING

- Clean frame with a damp cloth and a mild detergent and dry thoroughly. Do not use abrasives.
- If the stroller chassis parts have been exposed to salt water we recommend that they be rinsed down with fresh (tap) water as soon as possible afterwards.
- The hood may be sponged lightly using a damp cloth and a mild detergent. The seat may be washed - see care label for details. Dry thoroughly before reuse.
- Do not fold or store the product while wet and never store in a damp environment as this can cause mildew to form.

Maclaren reserves the right to make design changes to any of their products as part of their continuous improvement programme.

This product is designed and manufactured to comply with ASTM F833 Standard Consumer Safety Performance Specification for Carriages/Strollers and is JPMA certified. This product is designed and manufactured to comply with Canadian standard SOR/91-350, s. 1(F) Carriages and Stroller Regulations.

EN

Instructions

- IMPORTANT:
- **READ THESE INSTRUCTIONS CAREFULLY BEFORE USE AND KEEP THEM FOR FUTURE REFERENCE.**
 - **APPLY BOTH BRAKES WHEN PARKING THE STROLLER.**
 - **YOUR CHILDREN'S SAFETY MAY BE AFFECTED IF YOU DO NOT FOLLOW THESE INSTRUCTIONS.**

1 TO OPEN THE STROLLER

- A Release BOTH storage clips.
- B Open out the stroller.
- C Using foot, push BOTH footplates down fully to engage the primary locks.

CAUTION: Ensure that all locking devices are engaged before use.

2 TO OPERATE BRAKES

- A TO ENGAGE BRAKES: With foot, push BOTH brake levers to the far right.
- B TO RELEASE BRAKES: Push BOTH brake levers to the far left.

NOTE: BOTH brakes should be applied.

CAUTION: Parking device shall be engaged during the loading and unloading of children.

CAUTION: Ensure parking device is engaged before leaving the buggy unattended.

3 TO OPERATE FRONT WHEEL SWIVEL LOCKS

- A TO LOCK SWIVELS: Align front wheels and press down on locking levers.
- B TO UNLOCK SWIVELS: Raise locking levers.

4 SEAT BELT/SHOULDER HARNESS OPERATION

 **WARNING: AVOID SERIOUS INJURY FROM FALLING OR SLIDING OUT. ALWAYS USE SEAT BELT.**

TO FIT HARNESS:

- A Pull shoulder straps over the child's shoulder then attach to the waist clips by sliding strap loops onto the hooks.
 - B Insert both waist clips into the clasp, shoulder straps are secured once the clips are fastened.
 - C Adjust strap lengths by sliding buckles. Belt and harness should be snug.
- TO RELEASE HARNESS:
- D Press the button on both the front and back of the clasp simultaneously to release.

5 TO FIT HEAD CUSHION (If Supplied)

- A Unclip shoulder harness straps from clasp and pass through head cushion holes.
- B Attach Velcro straps to corresponding Velcro strips on seat rear.

6 TO FIT HARNESS PADS(If Supplied)

- A Lay open pad under shoulder harness strap.
- B Fold pad over and secure Velcro strips

7 TO ADJUST SEAT RECLINE

- A TO RECLINE SEAT BACK: Lift both hand grips to release seat locks and recline the seat back to desired position.
- B Lower hand grips to engage locks on both sides.
- C TO RAISE SEAT BACK: From rear of stroller push seat back to original upright or desired intermediate position.

8 ATTACHING THE HOOD

CAUTION: Overloading may cause a hazardous unstable condition to exist. Maximum carrying capacity of hood pouch - 1.1 lb (0.5kg.) per pouch.

- A With stroller open, clip the hood to the handle tubes just above the retaining rivets.
- B Place the rear apron behind seat backs
- C Extend hoods and press down on both side hinges of each hood to lock open

- D Lower flip-down visor if required.
- E The hood is removed by firmly pressing down the hood release tabs.

9 TO FIT THE RAIN APRON

- A Ensure visors are folded away beneath the hood.
- B Place the apron over the hood.
- C Attach two eyelets (one each side) to the hood clips.
- D Attach two eyelets (one each side) to the front legs.

10 TO OPERATE THE LEGRESTS

TO EXTEND THE LEGREST: Feel through seat corner openings. Locate sliders and pull forward. Reverse this process to retract legrests.

11 TO FIT THE SHOPPING BAGS

CAUTION: Overloading may cause a hazardous unstable condition to exist. Maximum load 4.4lb (2kg) evenly distributed.

The stroller may be folded with the bags still attached but **all contents must be removed.** Failure to do this could damage stroller and contents of shopping bag.

- A Place bags on the 'X' frame under seat with lowest edge of bag at front.
- B Attach front straps to front legs just below seats.
- C Attach rear straps to rear legs just above horizontal tie bars.

12 TO FIT THE BOOTS(If Supplied)

- A Place boot over seat base and thread crotch strap buckle through slit in boot
- B Attach poppers to seat sides.

13 REMOVING AND REFITTING THE SEAT COVERS

Remove rain apron, hood, boots and head huggers from stroller if fitted.

- A Twist shoulder strap end buckles and feed through holes.
- B Feed waist and crotch straps through holes.
- C Unclip seat cover retaining straps.
- D Unfasten seat fabric from handle tubes and seat base.
- E Slide fabric from seat back and base.
- F When refitting seat fabric, insert seat back support tubes into fabric fold.
- G When refitting seat fabric to seat base, loop fabric flap over legrest bag and pass crotch strap buckle through both holes in seat fabric and then hole in seat base.
- H When refitting shoulder straps, choose the fabric holes appropriate to the child's size. Twist the buckles and feed through seat fabric and then through holes in seat back arms.

14 TO FOLD THE STROLLER

Ensure visor is folded away beneath the hood.

Ensure the seat back is in its fullest upright position and the hood(if fitted) is folded back. Remove contents of shopping bag.

It is recommended that the harness is fastened before folding the stroller.

- A Ensure the seat backs are in the fullest upright position.
- B Fold back the hood (if fitted).
- C Using foot, lift up BOTH footplates to release primary locks.
- D Push down on secondary lock lever.
- E Grip handles and push forward.
- F Compress folded stroller and engage BOTH storage clips located on each side of the stroller.

ES

Información General

⚠️ ADVERTENCIA: EVITE HERIDAS GRAVES DEBIDO A CAIDAS/DESLIZAMIENTOS. UTILICE SIEMPRE LAS CORREAS DE LOS ASIENTOS. NUNCA DEJE A LOS NIÑOS SIN VIGILANCIA. LA SEGURIDAD DE UN NIÑO ES SU RESPONSABILIDAD. IMPORTANTE: GUARDE ESTAS INSTRUCCIONES PARA CONSULTAS FUTURAS.

- Siga todas las instrucciones atentamente. Un uso incorrecto dañará el cochecito para bebé.
- Este producto ha sido diseñado para dos niños de un peso máximo de 25 kg (55 lb) cada uno y de una altura máxima de 110 cm (44 pulg.)
- Atar siempre el arnés a los niños y no dejarlos nunca sin vigilancia.
- **IMPORTANTE — Es importante para la seguridad de su niño que el arnés sea instalado y ajustado correctamente. Si no ha sido ajustado correctamente de acuerdo con las instrucciones, afectará la estabilidad del stroller.**
- El arnés y el cinturón del asiento no constituyen un sustituto para la supervisión debida por un mayor.
- Los niños deberían estar alejados de las piezas móviles mientras se esté haciendo ajustes. **IMPORTANTE – PELIGRO: Es importante que se tenga mucho cuidado para asegurarse de que los niños se mantienen alejados del cochecito para bebé al plegar o desplegar el producto. Durante estas operaciones es posible cortarse y atraparse los dedos.**
- No lleve más de un niño, cosas ni accesorios encima ni dentro de esta sillita salvo si está permitido en este folleto. Estos pueden inestabilizar el cochecito o aplicar un peso excesivo en el cochecito que podría romperlo.
- **PRECAUCIÓN: La estabilidad de la sillita se ve afectada al colocar peso en las manillas.**
- La sobrecarga, el plegado incorrecto y el uso de accesorios, por ejemplo asientos para niños, ganchos para bolsas, cubiertas para la lluvia, tablas para cochecitos para bebé, etc., que no sean los autorizados por Maclaren pueden dañar o romper este vehículo.
- El uso de accesorios no suministrados ni aprobados por Maclaren asientos para niños, ganchos para bolsas, cubiertas para la lluvia, plataformas etcétera, podrían dañar o romper este vehículo.
- Nunca deje niño/s en el cochecito cuando sube o baja por escaleras normales o mecánicas, o cuando viaja en otras formas de transporte.
- El cochecito para bebé debería siempre abrirse y plegarse fácilmente. No lo fuerce. Puede ser necesario volver a leer las instrucciones.
- Vaya por las curvas y por las superficies irregulares con cuidado. Repetidos impactos dañarán el cochecito para bebé.
- Nunca permita que los niños estén de pie sobre el reposapiés.
- No deje el cochecito para bebé expuesto al calor, por ejemplo al lado de un radiador o a la luz directa del sol.
- No coloque artículos encima de la capota porque esto podría estropearla.
- **ADVERTENCIA: Esta sillita no es adecuada para correr ni patinar.**

MANTENIMIENTO Y REPARACIÓN

- Este vehículo precisa un mantenimiento rutinario por parte del usuario. Compruebe regularmente que todos los remaches y dispositivos de conexión estén bien apretados y seguros. Inspeccione todos los frenos, ruedas y neumáticos y cámbielos o repárelos si es necesario. Compruebe que todos los dispositivos de seguridad funcionen correctamente, en particular los bloqueos principal y secundario. Éstos deberían tener libertad de movimiento en todo momento. No seguir utilizando un producto que no sea estructuralmente sólido.
- Recomendamos una revisión cada 12 meses.
- Si las ruedas chirrían, lubríquelas con moderación con una capa de silicona o Teflon. NO utilice productos basados en aceite o grasa, dado que éstos atraerán la suciedad, que dificultar el movimiento.
- Solamente deberían utilizarse piezas de repuesto de Maclaren. Puede no ser seguro utilizar piezas no suministradas por Maclaren.

LIMPIEZA

- Limpie la estructura con un paño húmedo y un detergente suave y séquela bien. No use productos abrasivos.
- Si partes del stroller han sido expuestas a agua salada, recomendamos enjuagarlas con agua fresca de llave con la brevedad posible.
- Se puede limpiar la visera frotándola ligeramente con un paño húmedo y un detergente suave. Se puede lavar la cubierta del asiento - léase la etiqueta para detalles. Secarlos bien antes de usarlos.
- No pliegue ni almacene el producto mientras esté húmedo y no lo guarde nunca en un entorno húmedo dado que esto puede hacer que se forme moho.

Maclaren retiene el derecho de realizar cambios de diseño a cualquiera de sus productos como parte de su programa de mejoramiento continuo.

Este producto está diseñado y fabricado para cumplir con la Especificación de Rendimiento de Seguridad Estándar para el Consumidor ASTM F833 para Transportes / Cochecitos para Bebé. Este producto ha sido diseñado y fabricado para que conforme con la norma Canadiense SOR/91-350, s I(F) Carritos y Strollers.

ES

Instrucciones

IMPORTANTE: • **LEA ESTAS INSTRUCCIONES CUIDADOSAMENTE ANTES DE USAR EL STROLLER Y RETÉNGALAS PARA PODER CONSULTARLAS EN EL FUTURO.**
• **LA SEGURIDAD DE SU NIÑO PODRÍA SER AFECTADA SI NO CONFORMA CON ESTAS INSTRUCCIONES.**
• **APLICAR AMBOS FRENOS CUANDO APARCA EL STROLLER**

1 PARA ABRIR EL COCHECITO PARA BEBÉ

- A Suelte AMBOS clips de almacenamiento.
- B Despliegue el cochecito para bebé.
- C Utilizando el pie, empuje AMBAS plataformas de pie completamente hacia abajo para aplicar los bloqueos primarios

2 PARA ACCIONAR LOS FRENOS

- A PARA PONER LOS FRENOS: Empuje con el pie AMBAS palancas al extremo derecho.
- B PARA SOLTAR LOS FRENOS: Empuje AMBAS palancas al extremo izquierdo.

NOTA: Se deben poner AMBOS frenos.

ADVERTENCIA: El dispositivo de estacionamiento debe estar activado cuando se carga o descarga el niño.

ADVERTENCIA: Asegurar que el dispositivo de estacionamiento está activado si va a dejar desatendido al carrito.

3 PARA ACCIONAR LOS BLOQUEOS GIRATORIOS DE LAS RUEDAS DELANTERAS

- A PARA PONER LOS BLOQUEOS GIRATORIOS: Alinear las ruedas delanteras y apriete las palancas de bloqueo hacia abajo.
- B PARA QUITAR LOS BLOQUEOS GIRATORIOS: Levantar las palancas de bloqueo.

4 FUNCIONAMIENTO DEL ARNÉS DE ESPALDA / CORREA DEL ASIENTO

ADVERTENCIA: EVITA QUE PUEDAN PRODUCIRSE SERIOS DAÑOS POR CAÍDA O RESBALAMIENTO. UTILICE SIEMPRE LA CORREA DEL ASIENTO Y EL ARNÉS.

PARA INSTALAR EL ARNÉS:

- A Extender las correas de hombro sobre los hombros del niño y conectarlas a los conectores de cintura pasando los lazos de la correa sobre los ganchos.
- B Insertar ambos clips de cintura en el conector, fijando luego las correas de hombro una vez sujetados los clips.
- C Ajustar las correas a la longitud correcta. El cinturón y el arnés deberán quedar bien ajustados.

PARA LIBERAR EL ARNÉS:

- D Pulsar simultáneamente el botón delante y detrás del conector.

5 PARA INSTALAR LA ALMOHADA DE CABEZA (Si Se Hubiera Suministrado)

- A Soltar el arnés de las correas del hombro de la hebilla y pasarlas por los agujeros de la almohada de cabeza.
- B Unir las correas de Velcro a las tiras de Velcro correspondientes en la parte posterior del asiento.

6 PARA INSTALAR LAS ALMOHADILLAS DEL ARNÉS (Si Se Hubieran Suministrado)

- A Colocar la almohadilla abierta sobre la correa del arnés del hombro.
- B Doblar la almohadilla y unir las tiras de Velcro correspondientes por detrás.

7 PARA AJUSTAR LA INCLINACIÓN DEL ASIENTO

- A PARA RECLINAR EL RESPALDO: Levante ambos manillares para liberar los bloqueos del asiento, y deslice el asiento hacia atrás a la posición deseada.
- B Baje los manillares para bloquear ambos lados.
- C PARA LEVANTAR EL RESPALDO: Desde atrás del cochecito, empuje el respaldo a la posición vertical o intermedia que se desea.

8 PARA PONER LA CAPUCHA

ADVERTENCIA: La sobrecarga puede crear una condición peligrosa. Capacidad de carga máxima de la bolsa de cada capucha: 1,1 libras (0,5 kg.)

- A Con el cochecito para bebé abierto, sujete la capucha a los tubos de los manillares justo encima de los remaches de retención.
- B Colocar la cubierta trasera detrás de las espaldas los asientos

- C Extienda las capuchas y presiónelas hacia abajo sobre las bisagras laterales de cada capucha para bloquearlas.
- D Bajar la visera plegable, si se desea.
- E La capucha se quita presionando firmemente hacia abajo sobre las lengüetas de liberación de la capucha.

9 PARA COLOCAR LA CUBIERTA DE PROTECCIÓN PARA LA LLUVIA

- A Asegure que la visera está doblada debajo de la capucha.
- B Coloque la cubierta de protección por encima de la capucha.
- C Acople los dos ojales (uno a cada lado) a los clips de la capucha.
- D Acople los dos ojales (uno a cada lado) a las patas delanteras

10 PARA OPERAR EL REPOSAPIERNAS

PARA EXTENDER EL REPOSAPIERNAS: Sentir por las aberturas de las esquinas de los asientos. Cuando detecta las correderas, deslizarlas hacia adelante. Invertir este proceso para retraer el reposapiernas.

11 PARA COLOCAR LAS BOLSAS DE LA COMPRA

ADVERTENCIA: La sobrecarga puede provocar una condición inestable. Carga máxima, 4,4 libras (2,0 kg) distribuida de manera uniforme.

El cochecito para bebé se puede plegar con la bolsa colocada pero hay que sacar todo lo que contenga esta. No hacer esto podría dañar el cochecito y el contenido de la bolsa de la compra.

- A Coloque las bolsas en la estructura en "X" debajo del asiento con el borde inferior de la bolsa en la parte delantera.
- B Sujete las correas delanteras a las patas delanteras justo por debajo del asiento
- C Sujete las correas posteriores a las patas posteriores justo por encima de la barra de sujeción horizontal.

12 PARA INSTALAR EL CUBREPIERNAS (Si Se Hubiera Suministrado)

- A Coloque la funda sobre la base del asiento y pase la hebilla de la correa de la entropierna por la ranura de la funda.
- B Ate los automáticos a los lados del asiento.

13 EXTRACCIÓN Y REINSTALACIÓN DE LAS CUBIERTAS DE LOS ASIENTOS

Saque la protección contra lluvia, la capucha, los cubrepiernas los abrazacabezas del cochecito para bebé, si están puestos.

- A Gire los broches de los extremos de las correas de los hombros y hágalos pasar a través de los agujeros.
- B Haga pasar a través de los agujeros de los cinturones y correas de entropierna.
- C Suelte las correas de retención de cubierta de la base del asiento
- D Suelte el tejido del asiento de los manillares y de la base del asiento.
- E Deslice el tejido de la espalda y de la base del asiento.
- F Cuando vuelva a colocar el tejido del asiento, introduzca los tubos de soporte del respaldo del asiento por las aletas del tejido.
- G Cuando vuelve a instalar el tejido del asiento en el asiento, pase la aleta detejido sobre la correa del reposapiernas y pase el broche de la correa de entropierna por ambos agujeros en el tejido del asiento y luego por el agujero en la base del asiento.
- H Cuando reinstala las correas de hombro, elegir los agujeros más adecuados para el tamaño del bebé. Girar las hebillas para pasarlas por el tejido del asiento, y luego páselas por los agujeros en los reposabrazos de la espalda del asiento.

14 PARA PLEGAR EL COCHECITO PARA BEBÉ

Asegúrese de que el respaldo esté totalmente vertical y de que la capota (si está montada) esté doblada hacia atrás. Asegure que la visera está doblada debajo de la capucha. Sacar el contenido de la bolsa de la compra.

Se recomienda conectar el arnés antes de plegar el cochecito.

- A Asegúrese de que el respaldo del asiento se encuentre en su posición completamente vertical.
- B Plegar para atrás la capucha (si está instalada).
- C Usando el pie, levante AMBOS reposapiernas para liberar los bloqueos primarios.
- D Empuje hacia abajo sobre la palanca de bloqueo secundario.
- E Agarre los manillares y empuje los hacia adelante.
- F Comprima el cochecito para bebé plegado y enganche AMBOS clips de almacenamiento en cada lado del cochecito.

FR

Informations Generales

⚠️ AVERTISSEMENT: UTILISER LE HARNAIS DE SÉCURITÉ POUR ÉVITER QUE L'ENFANT CHÛTE OU GLISSE ET QU'IL SE BLESSE GRAVEMENT. NE JAMAIS LAISSER L'ENFANT SANS SURVEILLANCE. IMPORTANT: CONSERVER CETTE NOTICE POUR CONSULTATION FUTURE. LA SÉCURITÉ DE VOTRE ENFANT EST ENTRE VOS MAINS.

- Suivre attentivement les directives; l'emploi impropre endommagera la poussette.
- Ce produit a été conçu pour deux enfants pesant jusqu'à 25 kg chacun et mesurant jusqu'à 110 cm.
- Les enfants doivent toujours être attachés à l'aide du harnais et ne doivent jamais être laissés sans surveillance.
- **IMPORTANT – Pour la sécurité de votre enfant, il est important que le harnais soit correctement attaché et réglé. S'il n'est pas réglé correctement conformément aux instructions données, la stabilité de la poussette s'en trouvera gênée.**
- Le harnais et la ceinture de sécurité ne peuvent remplacer la surveillance d'un adulte.
- Les enfants doivent être tenus éloignés d'éléments mobiles pendant l'ajustement. **IMPORTANT – DANGER : il faut redoubler de prudence au moment de plier et de déplier la poussette pour éviter que les enfants se blessent. Ne pas les laisser s'approcher de la poussette, car ils pourraient se coincer les doigts et se pincer.**
- Ne pas transporter un enfant, des articles ou accessoires supplémentaires dans ou sur la poussette, sauf ce qui est autorisé dans cette notice. Cela pourrait déstabiliser la poussette ou exercer une pression excessive et occasionner un bris.
- **ATTENTION: Le fait d'accrocher une charge quelconque aux poignées peut affecter la stabilité de la poussette.**
- Le fait de surcharger, de mal plier et d'utiliser des accessoires autres que ceux approuvés par Maclaren, comme par exemple un siège d'enfant, un crochet à sacs, un habillage pluie, une tablette, etc., pourrait endommager ou abîmer ce véhicule.
- Il peut être dangereux d'utiliser des accessoires qui ne sont pas fournis et approuvés par Maclaren, tels que les sièges pour enfant, les crochets pour sacs, les housses imperméables et les pièces de fixation de la planche à roulettes, etc., et dans de telles circonstances, les conditions de la garantie ne seront pas en vigueur
- Ne jamais laisser les enfants dans la poussette quand vous montez ou descendez un escalier ou un escalier mécanique, ou quand vous empruntez d'autres formes de transport.
- La poussette devrait toujours s'ouvrir et se plier facilement. Ne pas forcer; lire de nouveau la notice au besoin.
- Manœuvrer les courbes et les terrains accidentés avec prudence. Les chocs répétés endommageront la poussette.
- Ne jamais laisser d'enfants debout sur le repose-pieds.
- Ne pas laisser la poussette exposée à la chaleur, c'est-à-dire près d'un radiateur ou à la lumière directe du soleil.
- Ne pas poser d'objets sur le dessus de la capote, car cela pourrait l'endommager.
- **AVERTISSEMENT : Cette poussette ne doit pas être utilisée pour courir ou faire du patin à roulettes.**

ENTRETIEN ET RÉPARATIONS

- Ce véhicule nécessite un entretien régulier de la part de l'utilisateur. Vérifier régulièrement que tous les rivets et les dispositifs de liaison sont bien ajustés et solides. Inspecter les freins, les roues et les pneus, et les remplacer ou les réparer le cas échéant. Vérifier que tous les dispositifs de sécurité fonctionnent correctement, en particulier les premier et second verrous. Ceux-ci devraient toujours pouvoir bouger. Ne jamais continuer à utiliser un produit qui n'est pas de construction solide.
- Nous recommandons une révision tous les 12 mois.
- Si les roues grincent, les graisser avec modération à l'aide d'un produit à base de silicone ou de Téflon. Ne PAS utiliser de produits à base d'huile ou de graisses, car cela encrasserait les éléments et entraverait le mouvement.
- Seules les pièces de rechange Maclaren doivent être utilisées. Il serait imprudent d'utiliser des pièces non fournies par Maclaren.

NETTOYAGE

- Nettoyer le châssis à l'aide d'un chiffon humide et d'un détergent doux, puis faire sécher complètement. Ne pas utiliser d'abrasifs.
- Si les pièces du châssis de la poussette ont été en contact avec de l'eau de mer, il est conseillé de les rincer dès que possible à l'eau douce.
- La capote peut être essuyée légèrement à l'aide d'un chiffon humide et d'un détergent doux. Les housses de sièges peuvent être lavées; voir l'étiquette d'entretien pour plus amples renseignements. Sécher complètement avant de réutiliser.
- Ne pas plier ou ranger le produit lorsqu'il est mouillé et ne jamais ranger dans un milieu humide, car de la moisissure pourrait se former.

Maclaren se réserve le droit d'effectuer des modifications au design et ce, pour tous les produits, dans le cadre de son programme de développement continu.

Ce produit est conçu et fabriqué en conformité avec le règlement F833 de l'ASTM portant sur les caractéristiques techniques standards des landaus et des poussettes; il est homologué par la JPMA. Ce produit est conçu et fabriqué en conformité avec la norme Canadienne SOR/91-350. s.1(F) concernant le

FR

Notice d'emploi

IMPORTANT:

- **LIRE ATTENTIVEMENT LA NOTICE D'EMPLOI AVANT USAGE ET LA CONSERVER POUR CONSULTATION FUTURE.**
- **SI VOUS NE SUIVEZ PAS CES CONSIGNES, LA SÉCURITÉ DE VOTRE ENFANT PEUT ÊTRE COMPROMISE.**
- **ACTIONNEZ LES DEUX FREINS POUR IMMOBILISER LA POUSSETTE**

1 OUVERTURE DE LA POUSSETTE

- A Dégagez LES DEUX barrettes de blocage.
- B Ouvrez la poussette.
- C Avec le pied, poussez LES DEUX plaques vers le bas, pour enclencher à fond les dispositifs de verrouillage primaire.

ATTENTION: Veillez à ce que tous les dispositifs de verrouillage soient bien enclenchés avant l'utilisation.

2 UTILISATION DES FREINS

- A POUR ACTIONNER LES FREINS : avec le pied, pousser les DEUX leviers de freins à fond vers la droite.
- B POUR DÉBLOQUER LES FREINS : pousser les DEUX leviers de freins à fond vers la gauche.

AVERTISSEMENT : pour installer l'enfant dans la poussette ou le retirer de celle-ci, il est nécessaire d'actionner le dispositif de stationnement.

AVERTISSEMENT : avant de laisser la poussette sans surveillance, vérifier que le dispositif de stationnement est engagé

3 UTILISATION DES DISPOSITIFS DE BLOCAGE DU PIVOTEMENT DES ROUES AVANT

- A POUR BLOQUER LES ROUES PIVOTANTES : Alignez les roues avant et appuyez sur les leviers de verrouillage.
- B POUR DÉBLOQUER LES ROUES PIVOTANTES : Redressez les leviers de blocage.

4 UTILISATION DE LA CEINTURE DE SÉCURITÉ / DU HARNAIS



AVERTISSEMENT:

ÉVITER QUE L'ENFANT SE BLESSE EN TOMBANT OU EN GLISSANT DE LA POUSSETTE TOUJOURS UTILISER LA CEINTURE DE SÉCURITÉ.

POUR ENDOSSER LE HARNAIS :

- A Tirer les sangles d'épaule sur les épaules de l'enfant, pour les attacher ensuite aux fermetures à la ceinture, en glissant les boucles des sangles sur les crochets.
- B Insérer les deux pinces à la ceinture dans le fermoir ; les sangles d'épaule sont fixées correctement lors de la fermeture des pinces.
- C Ajuster la longueur des sangles de sorte que la ceinture et le harnais soient confortables.

POUR ENLEVER LE HARNAIS :

- D Pour ouvrir le harnais, appuyer simultanément sur les boutons à l'avant et à l'arrière.

5 INSTALLATION DU CALE-TÊTE (Se Fornito)

- A Détachez les bretelles et passez-les dans les trous de l'appuie-tête.
- B Attachez les bandes velcro (boucles) aux bandes velcro correspondantes (crochets) du dossier.

6 INSTALLATION DES COUSSINETS DU HARNAIS (Se Fornito)

- A Placez le coussinet ouvert sous la bretelle.
- B Repliez le coussinet et fermez à l'aide des bandes velcro.

7 REGLAGE DE L'INCLINAISON DES SIÈGES

- A POUR INCLINER LE DOSSIER : Soulevez les deux poignées pour libérer les blocages du siège et inclinez le dossier dans la position souhaitée.
- B Abaissez les poignées pour enclencher le verrouillage des deux côtés.
- C POUR REDRESSER LE DOSSIER DU SIÈGE : Depuis l'arrière de la poussette, poussez le dossier en position redressée ou en toute position intermédiaire souhaitée.

8 MISE EN PLACE DE LA CAPOTE

ATTENTION: toute surcharge peut susciter une instabilité dangereuse. Capacité maximale des poches de capote = 0,5 kg par poche

- A La poussette étant ouverte, enclenchez les pinces de capote sur les tubes de poignées, juste au-dessus des rivets de retenue.
- B Placer le tablier arrière derrière le dossier du siège.

- C Mettez les capotes en extension et appuyez sur les charnières latérales de chaque capote pour verrouiller en position ouverte.

- D Abaissez le rabat si nécessaire

- E Pour enlever la capote, appuyez fermement sur les languettes de déblocage des pinces.

9 INSTALLATION DE L'HABILLAGE IMPERMEABLE

- A Veillez à ce que le rabat soit replié sous la capote
- B Placez l'habillage par dessus la capote
- C Attachez deux oeillets (de chaque côté) aux pinces de capote
- D Fixez les deux oeillets (un de chaque côté) aux pieds avant.

10 UTILISATION DES APPUIE-JAMBES

POUR ALLONGER LES APPUIE-JAMBES : Repérer les ouvertures situées aux coins du siège, saisir le repose-pieds et le tirer vers l'avant. Procédez inversement pour rétracter les appui-jambes.

11 INSTALLATION DES SACS À PROVISIONS

ATTENTION: toute surcharge peut susciter une instabilité dangereuse. Charge maximale 2 kg, à répartir uniformément.

Il est possible de replier la poussette avec le sac à provisions encore en place, mais à condition d'enlever tout le contenu. Sinon, la poussette et le contenu du sac à provision risquent d'être endommagés.

- A Placez les sacs sur le cadre en «X» sous le siège, le bord inférieur des sacs sur le devant.
- B Attachez les sangles avant aux pieds avant, juste sous le siège.
- C Attachez les sangles arrières aux pieds arrières, juste au-dessus des barres de fixation horizontales.

12 INSTALLATION DES BOTTES (Se Fornito)

- A Placez le couvre-jambes sur la base du siège et enflez la boucle de la sangle d'entrejambes sur la sangle dans le couvre-jambes.
- B Attachez les boutons-pression aux côtés du siège.

13 SUPPRESSION ET REMISE EN PLACE DES HOUSSE DE SIÈGES

Enlevez l'habillage imperméable, la capote, les bottes et les appuie-têtes de la poussette s'ils sont installés.

- A Déformez les bretelles et leurs boucles et faites-les passer par les orifices.
- B Faites passer les sangles de poitrine et d'entrejambe par les orifices.
- C Détachez les sangles de retenue de la garniture de siège.
- D Détachez l'étoffe du siège des tubes de cannes et de l'assise du siège.
- E Faites glisser l'étoffe du dossier et de l'assise du siège.
- F Pour remettre l'étoffe en place sur le siège, glissez les tubes de soutien du dossier dans le rabat d'étoffe.
- G Pour remettre en place la housse de siège sur l'assise de siège, faites passer le rabat d'étoffe en boucle sur la courroie d'appuie-jambes et faites passer la boucle de la courroie d'entrejambe par les deux orifices dans la housse de siège, puis par l'orifice dans l'assise de siège.
- H Lorsque vous rattachiez les bretelles, choisissez les fentes de la housse de siège convenant à la taille de l'enfant. Tournez les boucles et passez-les dans la housse du siège, puis dans les fentes des plaques de support du dossier.

14 PLIAGE DE LA POUSSETTE

Assurez-vous que le dossier est en position verticale et que la capote (si elle est fixée) est repliée en arrière. Veillez à ce que le rabat soit replié sous la capote. Videz le sac à provisions. Il est recommandé d'attacher le harnais avant de plier la poussette.

- A Assurez-vous que les dossiers des sièges sont redressés au maximum.
- B Repliez la capote si elle est installée.
- C Avec le pied, soulevez LES DEUX plaques pour débloquent les dispositifs de verrouillage primaires.
- D Abaissez le levier de verrouillage secondaire.
- E Saisissez les poignées et poussez-les vers l'avant.
- F Appuyez sur la poussette repliée et enclenchez LES DEUX barrettes de blocage, situées de chaque côté de la poussette.