

TO OPEN AND TO FASTEN THE SAFETY BELT

This vehicle has a 5-point harness system. The right and left shoulder harness can be opened independently from each other.

TO OPEN: press in the spring clips N at the side of the buckle M. The harness will open. Fig. 7

TO CLOSE. Push the clips on the right and left shoulder harness into the buckle M. Fig.7)

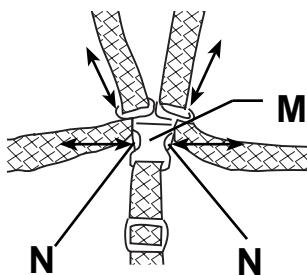


Fig. 7

TO ADJUST THE BACKREST

The rear backrest can be adjusted to three positions: Upright, middle and flat.

To adjust, lift up the backrest locking mechanisms O on both sides at the same time. Put the backrest in the desired position, and let the locking mechanism engage. (fig. 8)

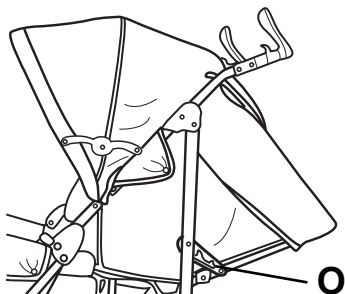


Fig. 8

SAFETY

Always ensure that your child is safely belted in.

MAINTENANCE

The textiles are removable and handwashable at 30° C.
The frame should be wiped with a damp cloth and mild soap. Don't use strong detergents, they could damage plastic.
Regularly lubricate the moving parts with silicon oil or silicon spray.

NOTE

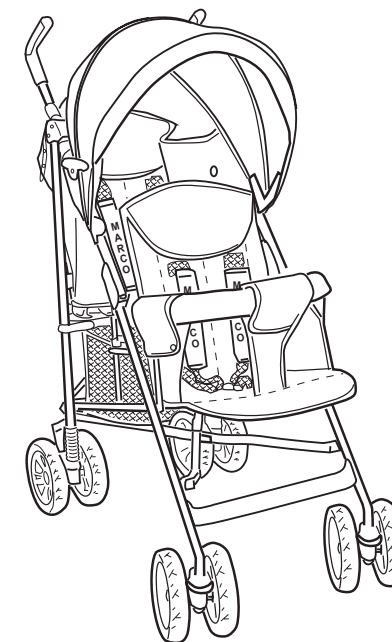
This vehicle is intended for 2 children up to a maximum weight of 15kg.
The net basket should not be loaded with more than 3 kg.
Spare parts or accessories which are not approved by the manufacturer or dealer may not be used.
All parts of the vehicle should be inspected regularly to ensure that they function properly.
Please do not make any changes to the stroller that could affect the safety.

WARNINGS

WARNING: The front seat is not suitable for children under 6 months.
WARNING: It may be dangerous to leave your child unattended.
WARNING: Ensure that all the locking devices are engaged before use.
WARNING: Any load attached to the handle affects the stability of the pram/pushchair.

USER'S INSTRUCTIONS

We congratulate you on your purchase of this stroller „for 2“
This pushchair offers optimal performance and value and is very easy to use.



IMPORTANT: Read these instructions carefully before use and keep them for future reference.
Your child's safety may be affected if you do not follow these instructions

TO OPEN

Open strap A and pull up the stroller by the handgrips (Fig. 1.1 - 1.2). Push down lever B1 at the rear of the stroller with one foot, until you hear the cross-strut engage. (Fig.1.1, 1.2)

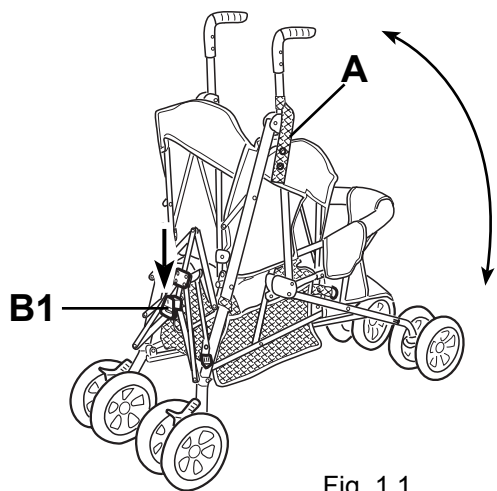


Fig. 1.1

TO CLOSE

Release the secondary lock by pushing lever B2 down with your foot. (Fig. 1.2). Press the bottom lock B1 upwards with your foot. (Fig. 1.2). Fold the buggy forwards and fasten together with the strap A.

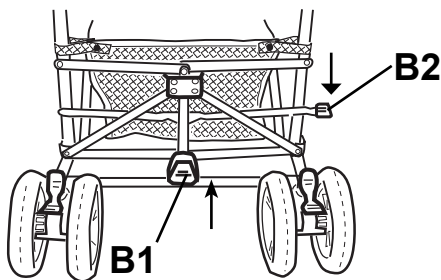


Fig. 1.2

TO FIT THE FRONT WHEELS

Push the double wheel block C onto the upper front wheel housing D until it engages. (Fig.2)

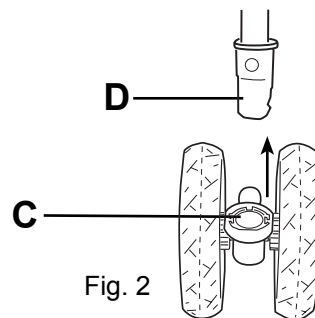


Fig. 2

TO FIX AND TO RELEASE THE BRAKES

TO FIX: Press the brake levers E downwards with your foot. Make sure the brake has engaged. (Fig. 3)

TO RELEASE: Push the brake levers E upwards (Fig. 3).

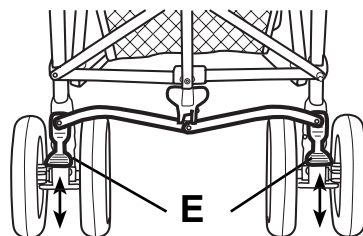


Fig. 3

! SAFETY !
Before putting your child in the stroller engage the brakes to make sure it doesn't roll away

! SAFETY !
Never leave the MARCO Sky without engaging the brakes.

FITTING THE CANOPY

Push the canopy fitting hooks F onto the handlebar tubes as shown in Fig.4, and close. Fasten straps H round the frame tube (Fig.4) and close the press-studs. Press the canopy hinge down on both sides.

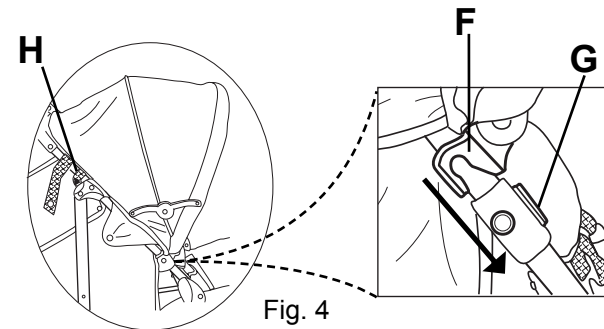


Fig. 4

TO ADJUST THE HANDGRIPS

To adjust the handgrips J, pull the lever K upwards and turn the handgrips J into the desired position (fig. 5).

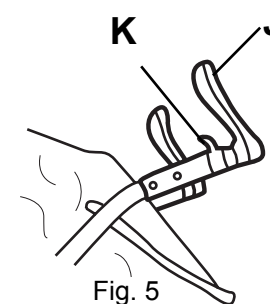


Fig. 5

TO FIX AND TO SWIVEL THE FRONT WHEELS

TO FIX: Turn the front double wheels so that the fixing lever L faces the front. To fix the wheels, press the fixing lever L downwards until it engages. (Fig. 6)

TO SWIVEL: push the fixing lever L upwards. (Fig.6)

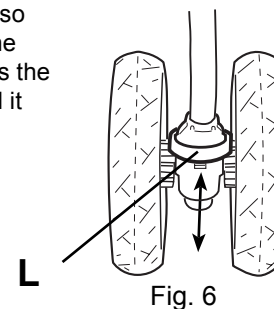


Fig. 6