

valco
baby

PRODUCT REFERENCE GUIDE

LATITUDE STROLLER

Thank you for purchasing a quality VALCO product. Please read and follow the instructions outlined in this guide carefully. Familiarise yourself with the construction and safety features; be sure that you understand all the warnings and safety guidelines before use.

Retain this guide in a safe place for future reference.



Due to our policy of continuous product development, this product is constantly evolving. It is possible that some features or procedures outlined here have changed since this document was written.

If you are unsure of any procedure shown here, please contact us via the web at info@valco.com.au to obtain the most up to date information before use. Include the batch number, which can be found on a sticker on the frame.

All pictures and diagrams herein are provided for illustration purposes only. Actual product, colour or fabric may vary. VALCO reserves the right to modify or alter any specification or colour without notice or obligation to modify any product previously purchased

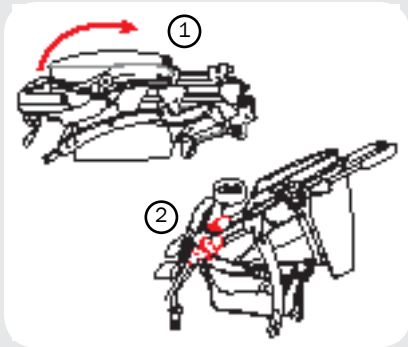
FURTHER INFORMATION

In Australia/New Zealand

www.valco.com.au
www.valco.co.nz

In North America only

www.valcobaby.com
1800 610 7850



ASSEMBLY

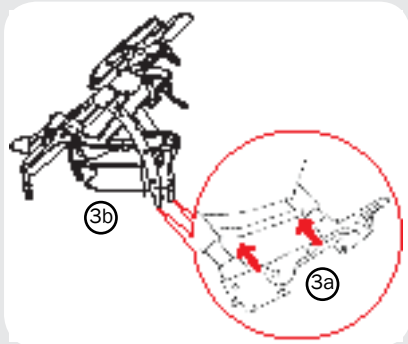
FIGURE A

1. Lift the handle upward toward you. The frame will begin to open.
2. Continue opening the frame until you hear it “click” into the fully locked position.

INSTALL THE REAR AXLE/BRAKE BAR

FIGURE B

3. With the brake levers (3a) facing AWAY from the stroller, align the plastic brake housings with the rear legs (3b). Firmly push each housing onto the corresponding leg until it locks into place. Test by pulling on the rear axle.



INSERT REAR WHEELS

FIGURE C

4. Depressing the button in the centre hub of the rear wheel, insert each wheel axle in turn, into the wheel hub. Push the wheel as far as it will go before releasing the button. IMPORTANT: PULL EACH WHEEL SLIGHTLY BACK TOWARDS YOU TO ENSURE THAT IT HAS FULLY ENGAGED IN THE AXLE.

INSERT FRONT WHEEL

5. Insert the front swivel wheel over the housing on the front legs. IMPORTANT: BE SURE THAT THE SWIVEL LOCK LEVER IN THE HOUSING IS AT THE TOP.
6. To fix the front wheel in the non swivel position, turn the wheel so that the two notches on both housings line up. Press down firmly on the swivel lock until it locks into place.

INSTALL THE BUMPER BAR

FIGURE D

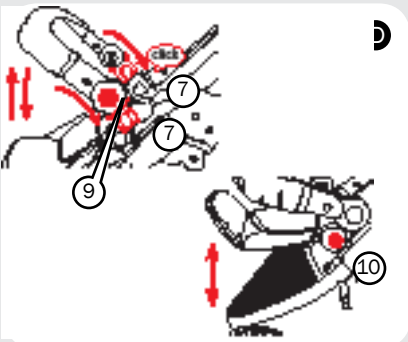
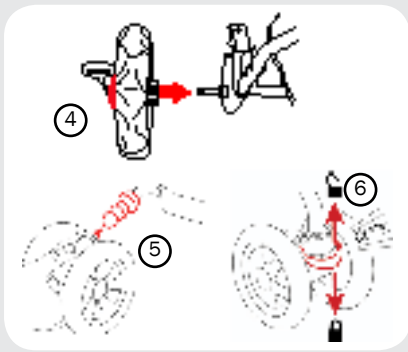
7. Align the ends of the bumper bar with the housing located on either side of the seat.
8. Insert the ends into the housing. Keep pushing until they lock into place. IMPORTANT: NEVER LIFT YOUR STROLLER BY THE BUMPER BAR.

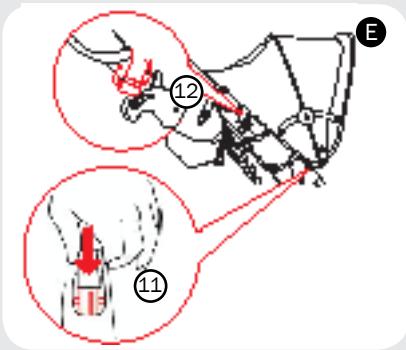
ADJUSTING THE BUMPER BAR

9. To lower/raise the bumper bar, simultaneously press the release buttons and move to desired position.

ADJUSTING THE FOOTREST

10. To lower/raise the footrest, simultaneously press the release buttons and move the footrest to the desired position.





INSTALLING THE HOOD

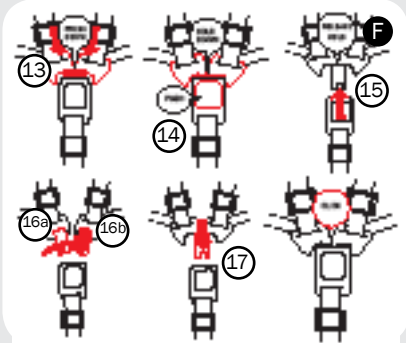
FIGURE E

11. Align the plastic hood housings over the corresponding housing on either side of the stroller frame. Align EACH straight track on the stroller housing with the corresponding "hole" in the hood housing. Slide the hood housing downward over the track so that it completely engages on to the stroller frame.
12. Fix the velcro strap around each handle bar to secure the hood completely.

USING THE HARNESS

FIGURE F

Your child **MUST** always be harnessed while in the stroller.



TO OPEN YOUR HARNESS:

13. Push down on both Buckle Prongs.
14. Simultaneously press the release button in the centre of the buckle.
15. Lift the buckles from the Buckle Housing.

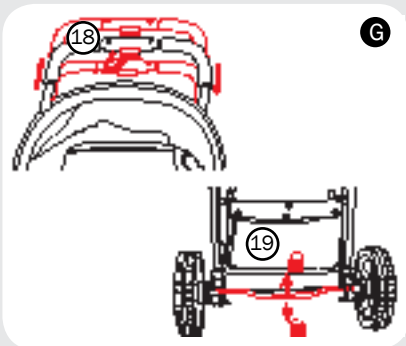
TO SECURE YOUR CHILD IN THE HARNESS:

16. Overlap buckles (16a) and (16b) so that they fit together to form one complete buckle.
17. Insert the completed buckle into the Buckle Housing until it engages securely in place.

ADJUSTING YOUR HANDLE

FIGURE G

18. Your handle can be adjusted to multiple positions. Press the centre locking button while simultaneously moving the handle up or down. Releasing the button will allow the handle to lock into the next position.



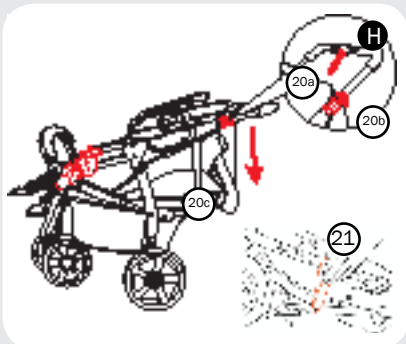
SECURING YOUR BRAKES

19. With your foot press down on the centre of the brake lever to simultaneously engage the brake in both wheels. To release, simply lift the lever with your foot. **IMPORTANT: ALWAYS TEST THAT THE BRAKES ARE FULLY ENGAGED BY PUSHING THE STROLLER FORWARD AND BACKWARD.**

TO FOLD YOUR LATITUDE STROLLER

FIGURE H

20. Pressing the centre locking button (20a), turn the secondary release lock (20b) anti-clockwise and hold it in the open position. Adjust the handle downward as far as it will go until it firmly presses down on the spring frame release mechanism. As you feel the frame release, press down on the handle and the frame will fold "backward" (20c).
21. You can lock the frame closed by stretching the locking strap over the frame, placing the metal catch over the rivet head in the chassis. **HINT: FOR MOST COMPACT RESULTS YOU MAY NEED TO SWIVEL THE FRONT WHEEL.**





YOUR RECLINING SYSTEM

FIGURE 1

Our system offers an almost infinite amount of individual seat adjustments.

TO RECLINE: While squeezing the centre release mechanism in a pincer action, ease the seat down to the desired position.

TO INCLINE: Place your hand at the centre of the rear of the seat. Pull the incline strap while gently pushing on the rear of the seat until the desired position has been reached.

WARNINGS

Your child's safety is your responsibility

- Be sure to check that all clamps and buckles are securely fixed in place before use.
- Check all parts for breakage or fatigue before use. Discontinue immediately if any part is found to be damaged or broken.
- The maximum weight of the child for which the stroller was intended is 20kg's.
- Can be used from birth+. A cocoon specially designed to be used with a stroller is recommended when any fully reclining stroller is used with a newborn.
- Never run with a newborn baby in any pram or stroller until the child can sit up unassisted (approximately 6 months).
- Never use this stroller on stairs or an escalator.
- Always ensure that your child is clear of all moving parts when adjusting the stroller.
- Never leave your child unattended in the stroller.
- When in the stroller your child must ALWAYS wear the safety harness, correctly fitted and adjusted, all times.
- DO NOT hang shopping bags from the handles as this may affect the stroller's stability.
- Always use the basket provided, the maximum weight in the basket is 3.5kg's.
- Do not carry additional children. It may be unsafe to use any accessories other than VALCO approved ones.
- This stroller is manufactured for use with one child only.
- This product is intended for domestic use only. It is not intended for commercial use.
- ALWAYS be aware of the risks provided by fire and other significant sources of heat such as radiators etc. which may be in the immediate vicinity of your stroller.

CARE & MAINTENANCE

- Clean the frame using a mild detergent and a damp cloth. Dry thoroughly afterwards. Do not use abrasives.
- Gently wipe the hood and seat with a clean damp cloth. Dry thoroughly after cleaning in the shade or in a well ventilated area until dry.
- Never leave the stroller directly exposed to sunlight for long periods of time as fabric and plastic parts may become damaged and/or discoloured.
- Moving parts may be lubricated with WD-40 or another silicon coating product. DO NOT USE OIL OR GREASE BASED PRODUCTS. Regular lubrication lengthens the life of the stroller.
- Replace any broken or damaged parts IMMEDIATELY with approved parts only. DO NOT USE the stroller until it has been repaired.
- When using the stroller in sandy areas, clean thoroughly after use to remove sand and/or salt from the wheel mechanisms.

valco
baby

In Australia/New Zealand

www.valco.com.au
www.valco.co.nz

In North America only

www.valcobaby.com
1 800 610 7850