

valco  
baby

## PRODUCT REFERENCE GUIDE

### PRISM STROLLER

Thank you for purchasing a quality VALCO product. Please read and follow the instructions outlined in this guide carefully. Familiarise yourself with the construction and safety features and be sure that you understand all the warnings and safety guidelines before use.

Retain this guide in a safe place for future reference.



Due to our policy of continuous product development, this product is constantly evolving. It is possible that some features or procedures outlined here have changed since this document was written. If you are unsure of any procedure shown here, please contact us via the web at [info@valco.com.au](mailto:info@valco.com.au) to obtain the most up to date information before use. Include the batch number, which can be found on a sticker the stroller frame.

All pictures and diagrams herein are provided for illustration purposes only. Actual product, colour or fabric may vary. VALCO reserves the right to modify or alter any specification or colour without notice or obligation to modify any product previously purchased

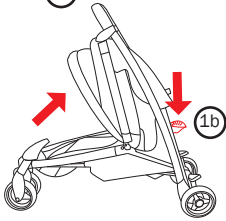
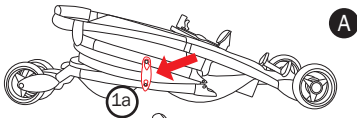
#### FURTHER INFORMATION

In Australia/New Zealand

[www.valco.com.au](http://www.valco.com.au)  
[www.valco.co.nz](http://www.valco.co.nz)

In North America only

[www.valcobaby.com](http://www.valcobaby.com)  
1800 610 7850



## OPENING THE STROLLER

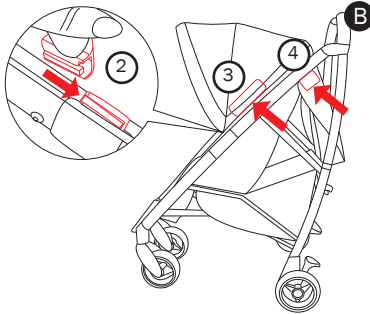
FIGURE A

1. To open the stroller, first release the catch on the left hand side (1a) which holds the stroller in the umbrella position. Holding the stroller by the handles, gently lift and push down on the primary locking bar (1b) until fully open. CAUTION: Ensure that all the locking devices are engaged before use.

## FITTING THE HOOD

FIGURE B

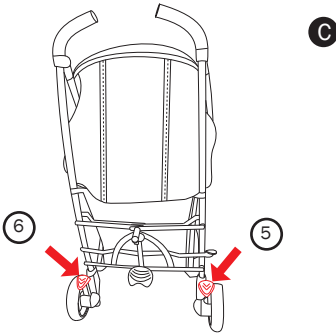
2. To fit the hood, slide the clips (2) on either side onto the bracket of the frame and ensure they click firmly into place.
3. Secure into position using the Velcro strips (3) on each side of the hood.
4. Complete the fitting by securing the Velcro strips on the back flap of the canopy (4).



## USING THE BRAKE

FIGURE C

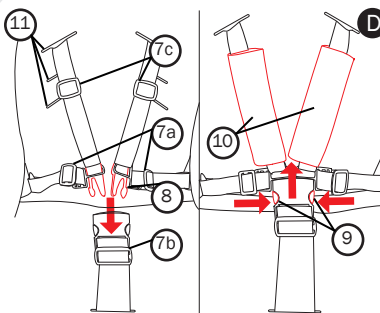
5. Push down on the brake lever on the right hand side (5) to engage the brake. It is recommended that you test the brake before use.
6. Push down on the brake lever on the left hand side (6) to release the brake. CAUTION: Never leave your child unattended in the stroller even if the brakes have been applied. The brakes may not work properly on a steep incline.



## USING THE SAFETY HARNESS

FIGURE D

7. A five-point harness is provided to secure your child. Sliding adjusters are fitted and should be carefully adjusted on each side (7a), at the base strap (7b) and on both shoulder straps (7c) so that the harness fits your child comfortably.
8. To fasten the harness push the two clips into the buckle until they click into position (8).
9. To unfasten the harness push the clips in on either side (9) and remove the two clips from the buckle.
10. To fit the harness covers, wrap each one around the shoulder harness straps and secure using the Velcro strips (10).
11. There are three slots provided on the backrest to adjust the height of the shoulder straps (11). CAUTION: Always use the safety harness.



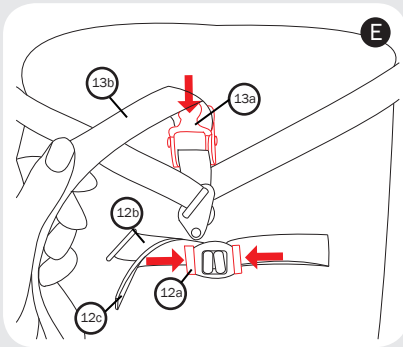


FIGURE E

12. The length of the shoulder straps can be adjusted at the back of the seat. Press down on one red plastic tab (12a) and firmly pull backwards to lengthen whilst holding the strap (12b). To shorten hold the edge of the strap (12c) and pull inwards whilst pressing on the plastic tab. Repeat for the other side.

## ADJUSTING THE BACKREST

13. The backrest can be adjusted to different positions. Whilst pressing down on the lever located on the back of the seat with one hand (13a), pull the strap with the other hand (13b) to raise the backrest to the desired position.
14. To lower, firmly push down on the lever until the backrest is lowered to the desired position. Ensure that the lever is pushed inward after adjusting.

## FITTING THE QUICK RELEASE WHEELS

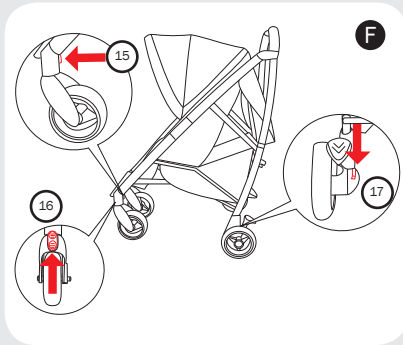


FIGURE F

15. To fit the front wheel, simply insert the wheel axle into the housing until fully engaged. To remove, press the button above the housing (15) and take the wheel out.
16. To lock the front wheel, when you do not require it to swivel 360°, ensure the wheel is straight and press the button upwards (16) until it clicks firmly into position. To release press the button downwards.
17. To fit the rear wheel, simply insert the wheel axle into the housing until fully engaged. To remove, press the button beside the brake lever (17) and take the wheel out.

## FOLDING YOUR STROLLER

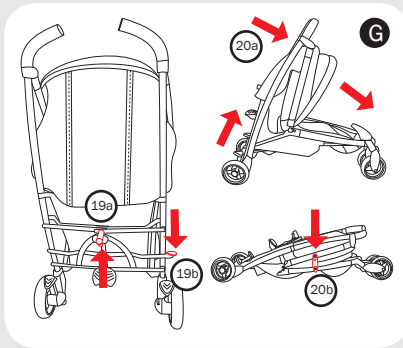


FIGURE G

18. Before folding, ensure the backrest is in its most upright position and the hood is fully folded back.
19. To fold the stroller, first press the secondary locking button (19a) and pull upwards whilst pushing down on the right hand side lock (19b).
20. Continue to lift the secondary locking button (19a) and gently push the handles forward (20a) until the stroller is completely folded. Use the catch to lock the stroller in the umbrella position (20b).

## FITTING THE BASKET

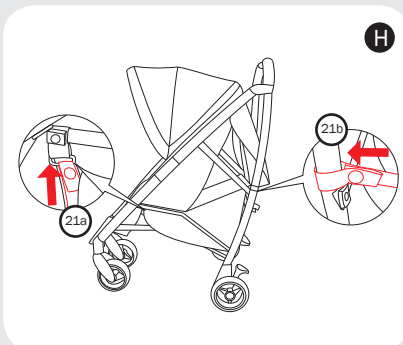


FIGURE H

21. To fit the basket, wrap the basket straps around the frame tubes where shown (21a, 21b) and secure using the press studs. Repeat for the other side.

## WARNINGS

### Your child's safety is your responsibility .....

- Be sure to check that all hinges, clamps and buckles are securely fixed and in place before use.
- Check all parts for breakage or fatigue before use. Discontinue immediately if any part is found to be damaged or broken.
- The maximum weight of the child for which this stroller is intended is 15 kg's (33 lbs).
- Exceeding the recommended load may cause this unit to become unstable.
- Care **MUST** be taken when folding the stroller to prevent finger entrapments.
- This product can be used for a newborn baby onwards.
- **NEVER** jog with a newborn baby in any pram or stroller. This stroller is not suitable to be used when running or roller blading.
- **ALWAYS** ensure that the child is clear of all moving parts when adjusting the stroller.
- If your child is in the seat, ensure that the child is properly supported before adjusting the backrest.
- **ALWAYS** engage the brake system when the stroller is at rest.
- **NEVER** leave any child unattended in the stroller.
- **NEVER** use on escalators or stairs.
- When in the stroller the child must **ALWAYS** wear the safety harness, correctly fitted and adjusted, at all times.
- **DO NOT** hang shopping bags from the handle as this may affect the stroller's stability.
- Always use the basket provided. The maximum weight in the basket is 2 kg's (4.4 lbs).
- Do not carry additional children in the stroller. It may be unsafe to use any accessories other than VALCO approved ones.
- **NEVER** allow the stroller to be used as a toy.
- **NEVER** allow your child to stand up in the stroller.
- Although the chassis is strong, it will be weakened when descending steps/curbs with the back wheels only.
- **ALWAYS** be aware of the risks provided by fire and other significant sources of heat such as radiators etc. which may be in the immediate vicinity of your stroller.
- This product is intended for domestic use only. It is not intended for commercial use.

## CARE & MAINTENANCE

- Clean the frame using a mild detergent and a damp cloth. Dry thoroughly afterwards. Do not use abrasives.
- Gently wipe the hood and seat with a clean damp cloth. Dry thoroughly after cleaning in the shade or in a well ventilated area until dry.
- Never leave the stroller directly exposed to sunlight for long periods of time as fabric and plastic parts may become damaged.
- Moving parts may be lubricated with WD-40 or another silicon coating product. **DO NOT USE OIL OR GREASE BASED PRODUCTS.** Regular lubrication lengthens the life of the stroller.
- Replace any broken or damaged parts **IMMEDIATELY** with approved parts only. **DO NOT USE** the stroller until it has been repaired.
- When using the stroller in sandy areas, clean thoroughly after use to remove sand and/or salt from the wheel mechanisms.

The logo for Valco baby, featuring the word "valco" in a large, white, lowercase serif font above the word "baby" in a smaller, white, lowercase sans-serif font, both set against a black rectangular background.

In Australia/New Zealand

[www.valco.com.au](http://www.valco.com.au)  
[www.valco.co.nz](http://www.valco.co.nz)

In North America only

[www.valcobaby.com](http://www.valcobaby.com)  
1 800 610 7850