

valco  
baby

## PRODUCT REFERENCE GUIDE

### URBAN ULTRALIGHT STROLLER

Thank you for purchasing a quality VALCO product. Please read and follow the instructions outlined in this guide carefully. Familiarise yourself with the stroller construction and safety features; be sure that you understand all the warnings and safety guidelines before use.

Retain this guide in a safe place for future reference.



Due to our policy of continuous product development, this product is constantly evolving. It is possible that some features or procedures outlined here have changed since this document was written. If you are unsure of any procedure shown here, please contact us via the web at [info@valco.com.au](mailto:info@valco.com.au) to obtain the most up to date information before use. Include the batch number, which can be found on a sticker the stroller frame.

All pictures and diagrams herein are provided for illustration purposes only. Actual product, colour or fabric may vary. VALCO reserves the right to modify or alter any specification or colour without notice or obligation to modify any product previously purchased

#### FURTHER INFORMATION

In Australia/New Zealand

[www.valco.com.au](http://www.valco.com.au)  
[www.valco.co.nz](http://www.valco.co.nz)

In North America only

[www.valcobaby.com](http://www.valcobaby.com)  
1800 610 7850

## ASSEMBLY

FIGURE A

1. Remove your stroller from the carton.
2. Open the frame by, grasping the front bar (1) with one hand and the handle (2) with the other. Push them carefully apart until you hear the frame click into place.
3. REAR ASSEMBLY: The "U" shaped tube provides structural strength and forms the body of the stroller basket. Insert the "U" shaped end tube over the open tube ends of the stroller basket. Secure by simultaneously pressing the two locking buttons on the underside of the tube, and further inserting the tubes until they lock into place. Test that the tube is fully engaged by pulling on it.

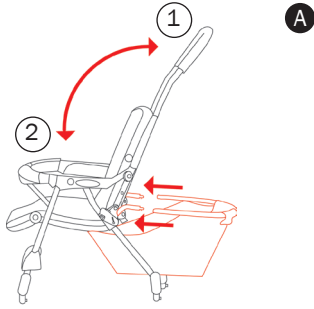


FIGURE B

4. With your finger, dab a little petroleum jelly around each of the 4 wheel housings (3,4) on the stroller frame.
5. Identify both front (3a - round wheel locking rim on housing) and rear (4a - brake levers on top of the wheel housing) wheels before use.
6. Insert the rear wheels onto the frame at (4). Be sure that the brake levers are facing outside, away from the stroller frame.
7. Insert the front wheels onto the frame at (3). Be sure that all the wheels click securely into place.

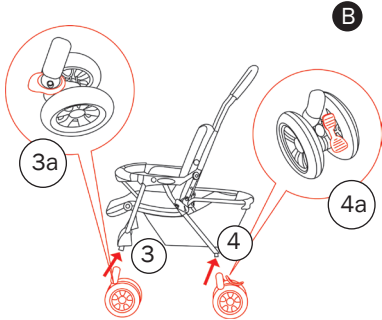
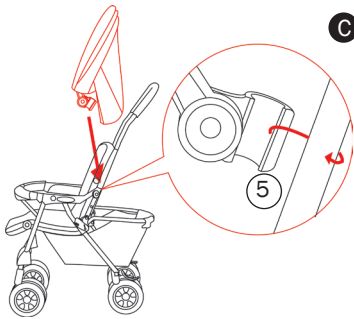


FIGURE C

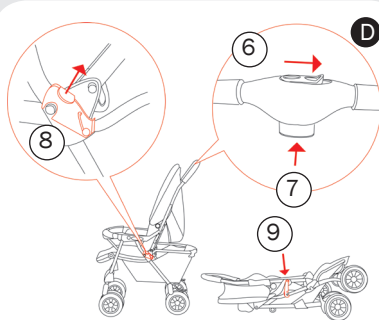
8. Attach the hood by firmly pressing the clamps on either side onto the inside of the stroller frame (5).
9. Secure the top of the hood to the frame by wrapping the elastic around the frame tube and securing with the snaps. YOUR STROLLER IS NOW READY FOR USE.



## OPENING/FOLDING YOUR STROLLER

FIGURE D

1. Wrap your hand around the folding lock (6).
2. With your thumb, slide the secondary lock across as far as it will go.
3. Without releasing the secondary lock, squeeze the primary button (7) - you will feel the frame release.
4. Lift the locking mechanism (8) and ease the frame slightly forward.
5. While firmly holding the handle, press down on the plastic tab protruding from the basket. This will cause the front of the stroller to fold upward toward you.
6. Grasp the front bar, and bring it up to the handle.
7. Secure the stroller closed by sliding the chassis lock (9) over and onto the locking rivet.
8. To open release the chassis lock and repeat procedures 1 -3. Be sure to check that the chassis is fully locked in the open position.



## ADJUSTING THE SEAT

FIGURE E

The new “no zip” recline offers an almost infinite amount of seat adjustments:

1. **RECLINE:** While squeezing the centre release mechanism in a pincer action (10), ease the seat down to the desired position.
2. **INCLINE:** Place your hand in the centre of the rear of the seat.
3. Pull the incline strap (11) while gently pushing on the rear of the seat until the desired position has been reached.

**ALWAYS TEST THAT THE SEAT IS SECURELY LOCKED IN PLACE BEFORE USE.**

## USING YOUR HARNESS

FIGURE F

Your Urban stroller is fitted with our unique new multi point safety harness system. Your child **MUST** always be harnessed while in the stroller.

**TO SECURE YOUR CHILD IN THE HARNESS:**

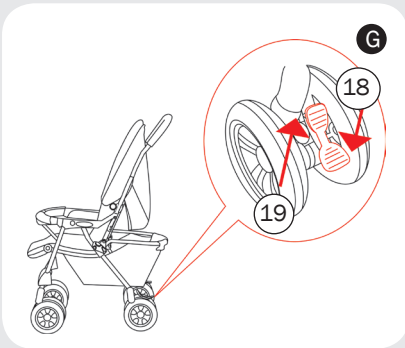
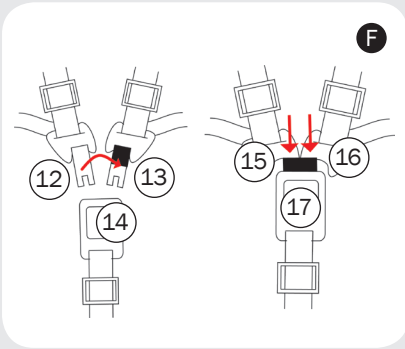
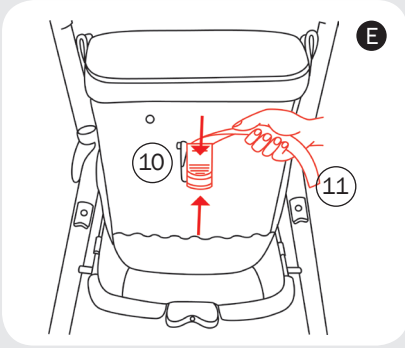
1. Overlap buckles (12) and (13) so that they fit together to form one complete buckle.
2. Insert the completed buckle into the Buckle Housing (14) until it engages securely in place.
3. Carefully adjust the harness straps to snugly fit your child by adjusting the Sliders located on all Shoulder Straps, Waist Straps and the Crotch Strap.

The harness should be snugly fitted to the baby’s body, tight enough so that the baby cannot wriggle itself free of the straps but loose enough so as not to cause the baby any discomfort.

**TO OPEN YOUR HARNESS:**

1. Push down on the Buckle Prongs (15, 16).
2. Simultaneously press the release button in the centre of the buckle (17).
3. Pull the buckles from the Buckle Housing.

Your harness system has been designed to meet very stringent safety standards and incorporates our unique secondary action. This helps ensure that your child cannot release the harness unaided.



## USING YOUR BRAKES

### FIGURE G

1. To lock, simply press down on the rear of the brake lever (18) until the brake pin engages into the wheel cog.
2. To unlock, release the brake pin from the wheel cog by pressing on the front portion of the brake lever (19).

ALWAYS CHECK THAT THE BRAKE PIN HAS ENGAGED IN THE WHEEL COG BY TESTING THAT THE WHEEL CANNOT ROTATE.

## REMOVING/INSTALLING YOUR FRONT BAR

### FIGURE H

1. Press the side button (20) while simultaneously pulling at the front bar until it separates from the housing.
2. Repeat this procedure with the other side.
3. Reverse the process to re-insert the front bar.

## WARNINGS

Your child's safety is your responsibility .....

- Be sure that all clamps and buckles are securely fixed into place before use.
- Moving parts may be lubricated with silicone spray - DO NOT USE OIL.
- The maximum weight of the child in the model is 18kgs.
- Recommended from birth.
- Your child should never be left unattended. When in the stroller a child must always wear a safety harness, correctly fitted and adjusted, at all times.
- Do not hang shopping bags from the handle as this may affect the stroller's stability.
- Always use the basket provided - the maximum weight in the basket is 5kgs.
- The seat fabrics may be washed by gently sponging with mild soap in warm water. Dry naturally.
- Never run with your pram across a road.
- Check all parts before use for breakage or fatigue. Discontinue use immediately if any part is found to be damaged or broken.
- Do not carry additional children. It may be unsafe to use any accessories other than VALCO approved.
- Make sure that any part of the child's body is clear of all moving parts before making your adjustments.
- Your VALCO product is intended for domestic use only. It is not intended for commercial use.
- Never carry your stroller with a child in it.

Should the chassis become wet, dry off promptly before storing. If this pram is used near the ocean or salted roads, spray the chassis and seat frame with water and dry. We recommend a rust inhibiting product should be used to prevent rust and fatigue on metal parts.

We recommend that you wipe down axles and lubricate the wheels every 3 months. Sand and dirt can grind down axles, if you live near the beach or in a dusty environment you must wipe down the axles and wheels then lubricate them monthly.

AXLES ARE BEST LUBRICATED WITH GREASE OR PETROLEUM JELLY. MOVING PARTS ARE BEST LUBRICATED WITH SILICONE BASED PRODUCTS. DO NOT USE OIL BASED PRODUCTS.

The logo for Valco Baby, featuring the word "valco" in a lowercase, sans-serif font above the word "baby" in a smaller, lowercase, sans-serif font. The text is white and set against a black rectangular background.

**In Australia/New Zealand**

**[www.valco.com.au](http://www.valco.com.au)  
[www.valco.co.nz](http://www.valco.co.nz)**

**In North America only**

**[www.valcobaby.com](http://www.valcobaby.com)  
1 800 610 7850**